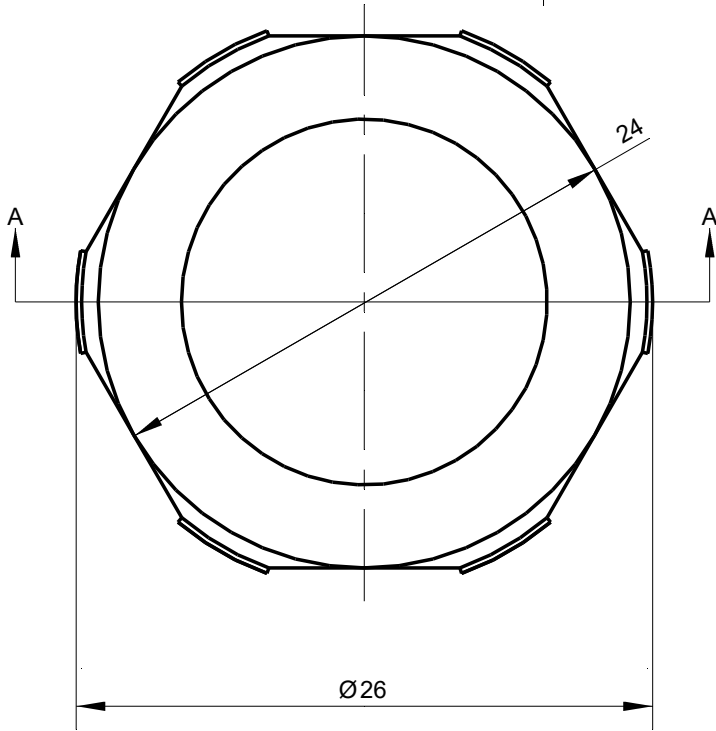
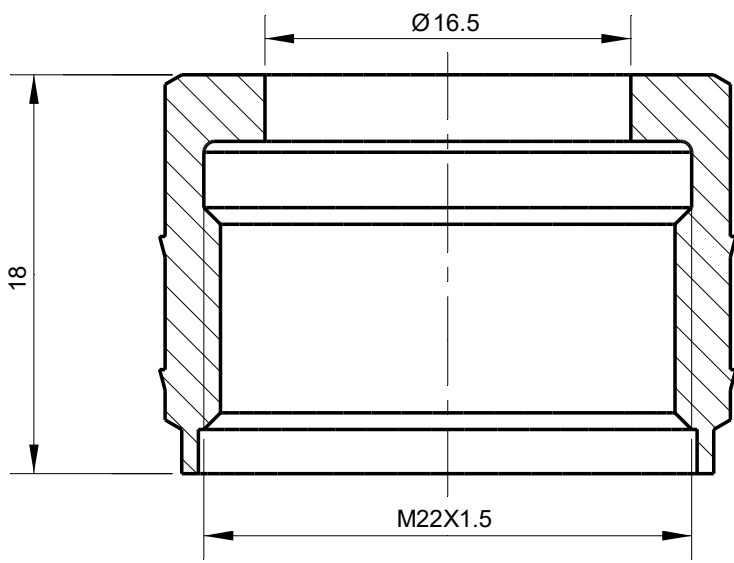


A



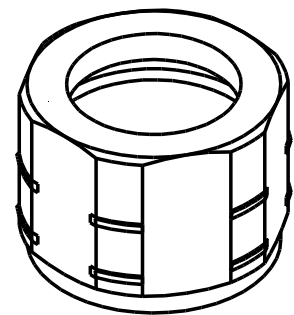
B

C



D

E



Section A-A

Tolerances Unless Otherwise Specified ACC. DIN-ISO 2768 -1and 2 Angular +/- 0,3° Corners <0,2x45° / R<0,2	Finish -					Material St.St. 316 HEX24
	Dimension	0 t/m 6	6 t/m 30	30 t/m 120	120 t/m 400	
Tolerance	0,1	0,2	0,3	0,5	0,8	Description Quick Swivel Nut M22
Name	Date 21-12-2019	Remarks Drawing remains the property of Salomon Jetting Parts B.V.				
Drawn	Unit mm Number					Project
Checked	Projection					



Salomon Jetting Parts B.V.
 Industriestraat 17
 3291 CC Strijen
 www.sjpbv.com
 info@sjpbv.com
 +31 (0) 88 126 1900

Size A4	Drawing nr. 040000824-S	Rev A
Scale 3:1	CAD File	Sheet 1 of 1