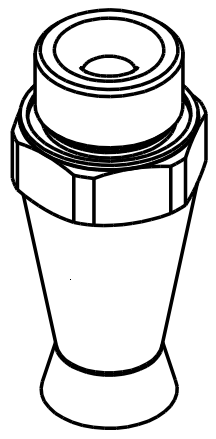
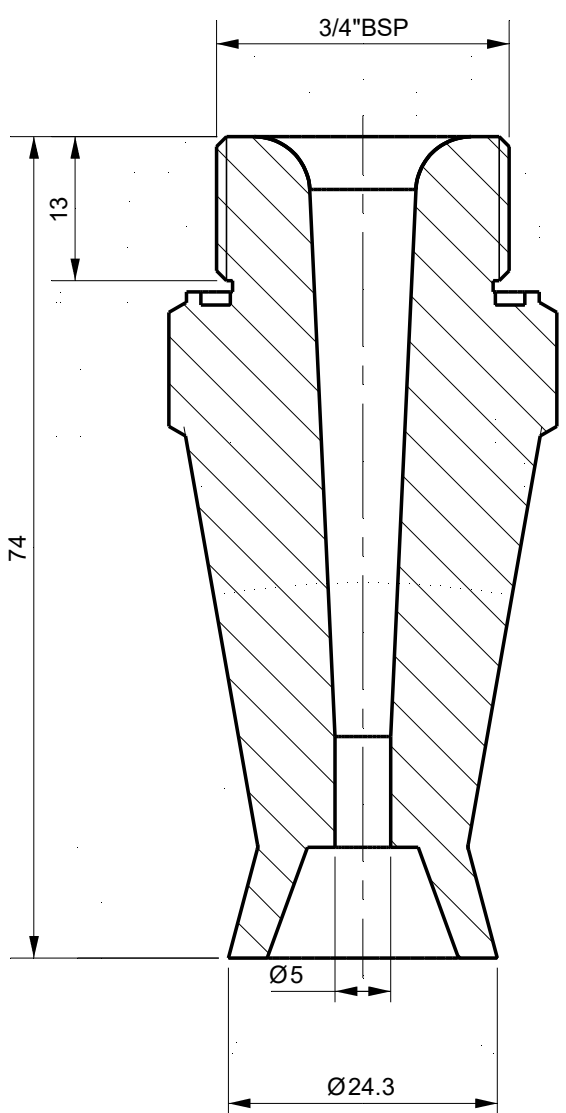
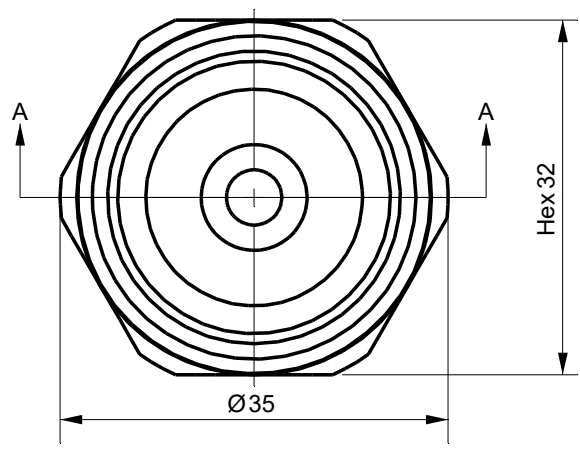


A
B
C
D
E
F



Section A-A

| | | | | | | | | |
|--|--------------------------------|--|---------|---|------------|-------------------------------|----------------------------------|--|
| Tolerances Unless Otherwise Specified ACC. DIN-ISO 2768 -1and 2 Angular +/- 0,3° Corners <0,2x45° / R<0,2 | Finish - | | | | | Material St.St. 316 | | |
| | Dimension (No Decimals) | | 0 t/m 6 | 6 t/m 30 | 30 t/m 120 | 120 t/m 400 | 400 t/m 1000 | Description Longcast Nozzle 3/4\"BSPM Ø5 |
| Tolerance | | 0,1 | 0,2 | 0,3 | 0,5 | 0,8 | | |
| Drawn [Name] | Date 30-12-2021 | Remarks Drawing remains the property of Salomon Jetting Parts B.V. | | | | | Project | |
| Checked [Name] | [Name] | | | | | | Unit mm | |
| Projection | | | | Salomon Jetting Parts B.V. Industriestraat 17 3291 CC Strijen www.sjpbv.com info@sjpbv.com +31 (0) 88 126 1900 | | Size A4 | Drawing nr. 04001963-S | Rev A |
| | | | | Scale 1:1 | | CAD File | Sheet 1 of 1 | |