

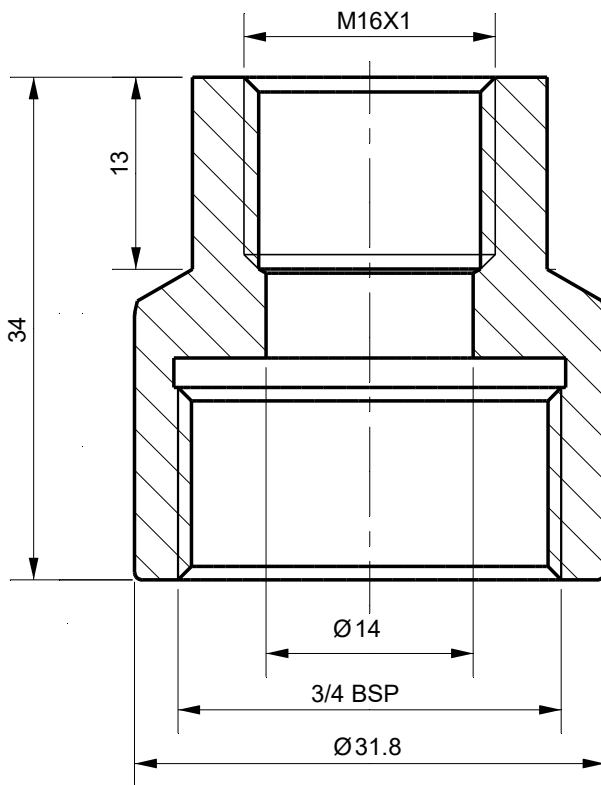
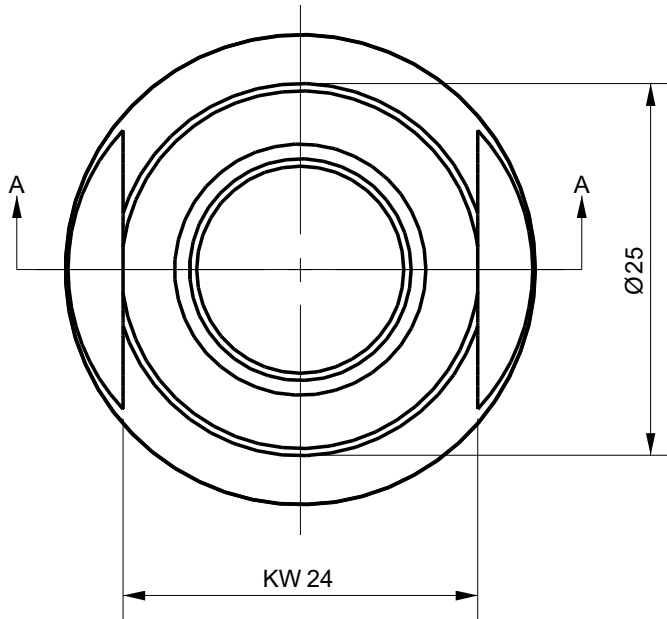
1

2

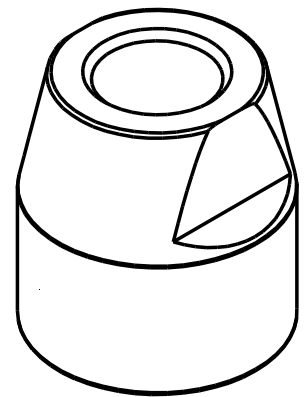
3

4

Rev.A date Description revision



Section A-A



Tolerances

Unless Otherwise Specified
ACC. DIN-ISO 2768 -1and 2
Angular +/- 0,3°

Corners <math>\lt;0,2 \times 45^\circ / R<0,2</math>

Finish

-

Material

St.St. 316

Dimension (No Decimals)	0 t/m 6	6 t/m 30	30 t/m 120	120 t/m 400	400 t/m 1000
Tolerance	0,1	0,2	0,3	0,5	0,8

Corners <math>\lt;0,2 \times 45^\circ / R<0,2</math>

Drawn

Name

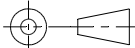
Date

30-12-2021

Remarks

Checked

Projection



Drawing remains the property of Salomon Jetting Parts B.V.

Unit

mm

Number

Description

Adapter Longcastnozzle M16X1

Project

Size
A4

Drawing nr.

040004115-S

Rev

A

Scale
2:1

CAD File

Sheet

1 of 1



Salomon Jetting Parts B.V.

Industriestraat 17
3291 CC Strijen
www.sjpbv.com
info@sjpbv.com
+31 (0) 88 126 1900