

1

2

3

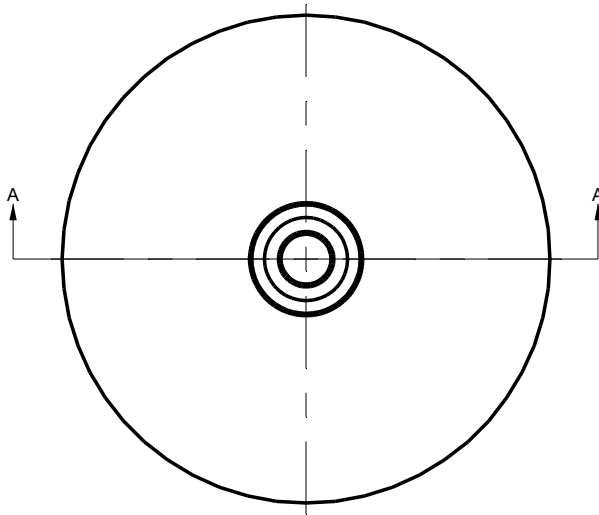
4

Rev.A

date

Description revision

A

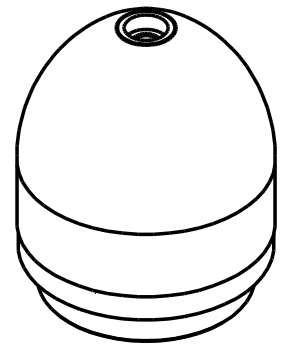
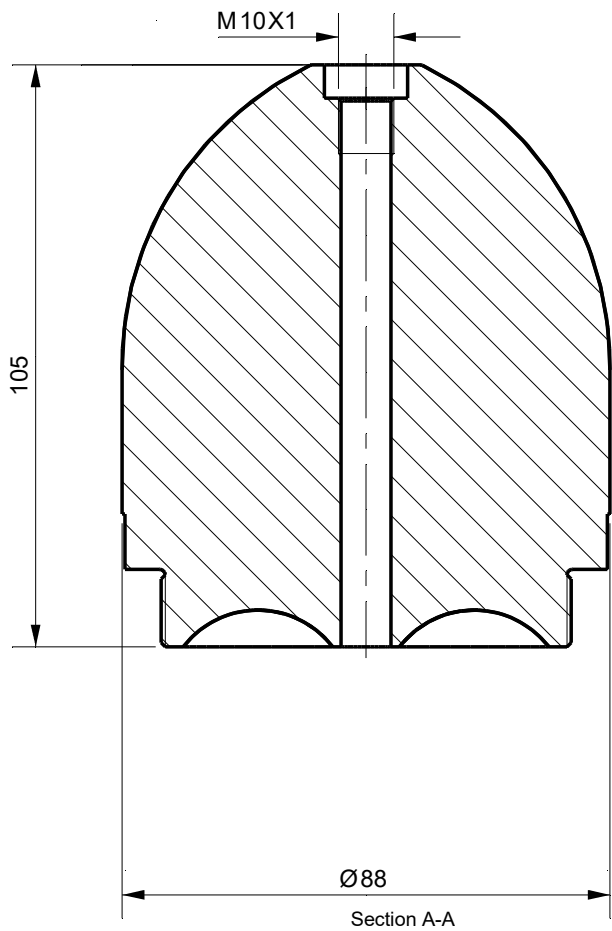


B

C

D

E

**Tolerances**

Unless Otherwise Specified

ACC. DIN-ISO 2768 -1and 2

Angular +/- 0,3°

Corners <0,2x45° / R<0,2

Finish

Dimension (No Decimals)

0 t/m 6

6 t/m 30

30 t/m 120

120 t/m 400

400 t/m 1000

Tolerance

0,1

0,2

0,3

0,5

0,8

Material

Name

Date

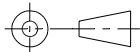
Remarks

Drawn

17-5-2023

Checked

Projection

Drawing remains the property of
Salomon Jetting Parts B.V.Unit
mm

Number

Project

Size

Drawing nr.

Rev

A4**0806-S2****A****1:1.5**

CAD File

Sheet

1 of 1

Salomon Jetting Parts B.V.

Reedijk 8-1

3274 KE Heinenoord

www.sjpbv.com

info@sjpbv.com

+31 (0) 88 126 1900