

1

2

3

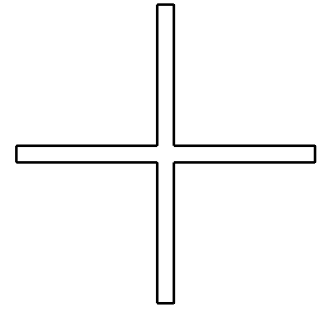
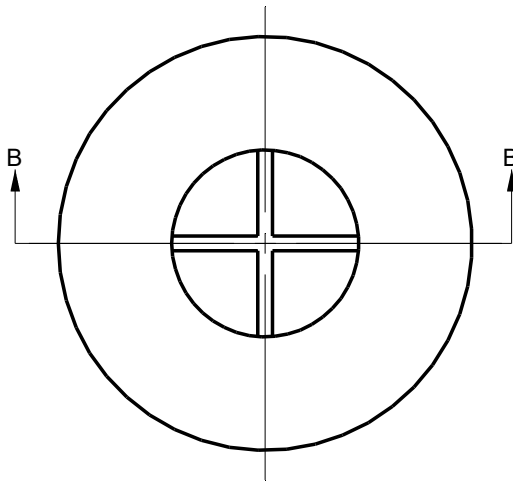
4

Rev.A

date

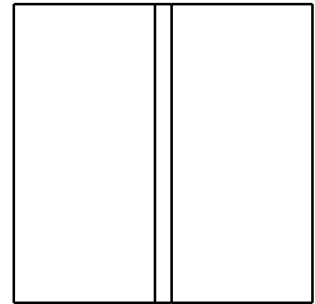
Description revision

A

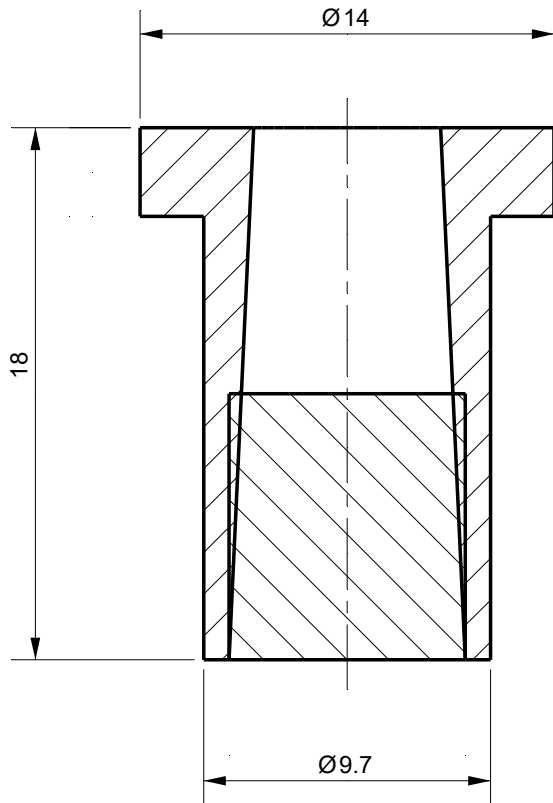


Flow Stabilizer St.St. 316

B

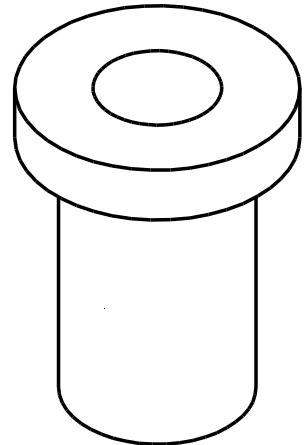


C



Section B-B

D



E

**Tolerances**

Unless Otherwise Specified  
ACC. DIN-ISO 2768 -1and 2  
Angular +/- 0,3°  
Corners <0,2x45° / R<0,2

**Finish**

-

**Material**

Ampco 45

**Dimension (No Decimals)**

0 t/m 6	6 t/m 30	30 t/m 120	120 t/m 400	400 t/m 1000
0,1	0,2	0,3	0,5	0,8

**Tolerance****Name****Date**

11-7-2024

**Remarks****Description**

Flow Reducer 3/8"

**Checked****Projection**

Drawing remains the property of  
Salomon Jetting Parts B.V.

Unit  
mm

Number

**Project**

F



Salomon Jetting Parts B.V.  
Reedijk 8-1  
3274 KE Heinenoord  
www.sjpbv.com  
info@sjpbv.com  
+31 (0) 88 126 1900

Size  
**A4****Drawing nr.**

09D14006

**Rev**

A

Scale  
**3:1****CAD File****Sheet**

1 of 1