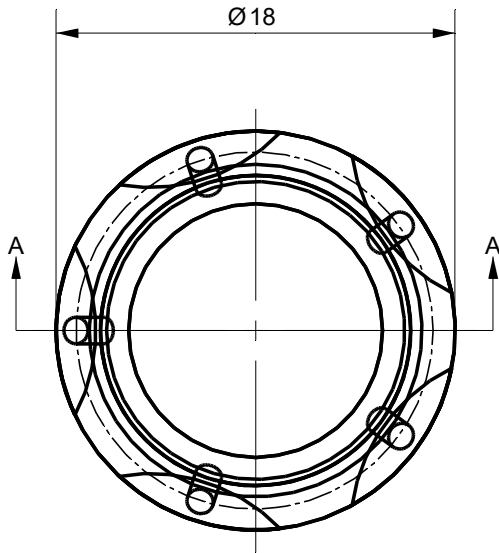


A

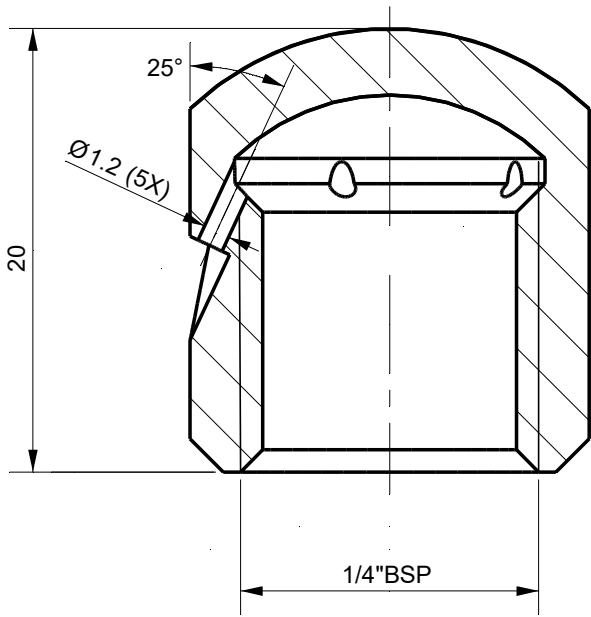


B

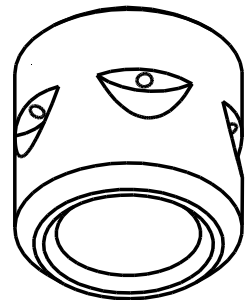
C

D

E



Section A-A



Tolerances Unless Otherwise Specified ACC. DIN-ISO 2768 -1and 2 Angular +/- 0,3° Corners <0,2x45° / R<0,2	Finish -					Material St.St. 316									
	Dimension (No Decimals)	0 t/m 6	6 t/m 30	30 t/m 120	120 t/m 400		400 t/m 1000								
Tolerance	0,1	0,2	0,3	0,5	0,8	Description SJP Mini Nozzle 1/4"BSPF w/o front									
<table border="1"> <tr> <th>Name</th> <th>Date</th> <th>Remarks</th> </tr> <tr> <td>Drawn</td> <td>13-10-2021</td> <td></td> </tr> <tr> <td>Checked</td> <td></td> <td></td> </tr> </table>	Name	Date	Remarks	Drawn	13-10-2021			Checked			Drawing remains the property of Salomon Jetting Parts B.V.		Unit mm	Number	Project
Name	Date	Remarks													
Drawn	13-10-2021														
Checked															

	Salomon Jetting Parts B.V. Industriestraat 17 3291 CC Strijen www.sjpbv.com info@sjpbv.com +31 (0) 88 126 1900	Size A4	Drawing nr. 1-512025	Rev B
		Scale 3:1	CAD File	Sheet 1 of 1