

1

2

3

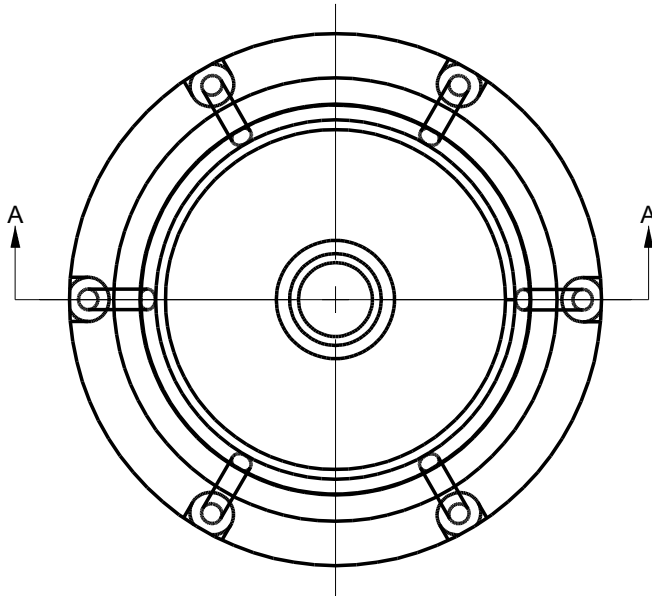
4

Rev.A

date

Description revision

A

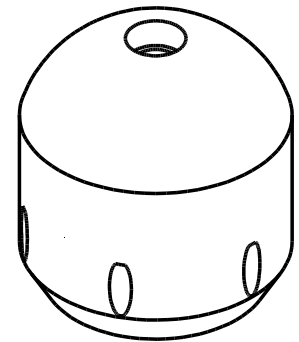
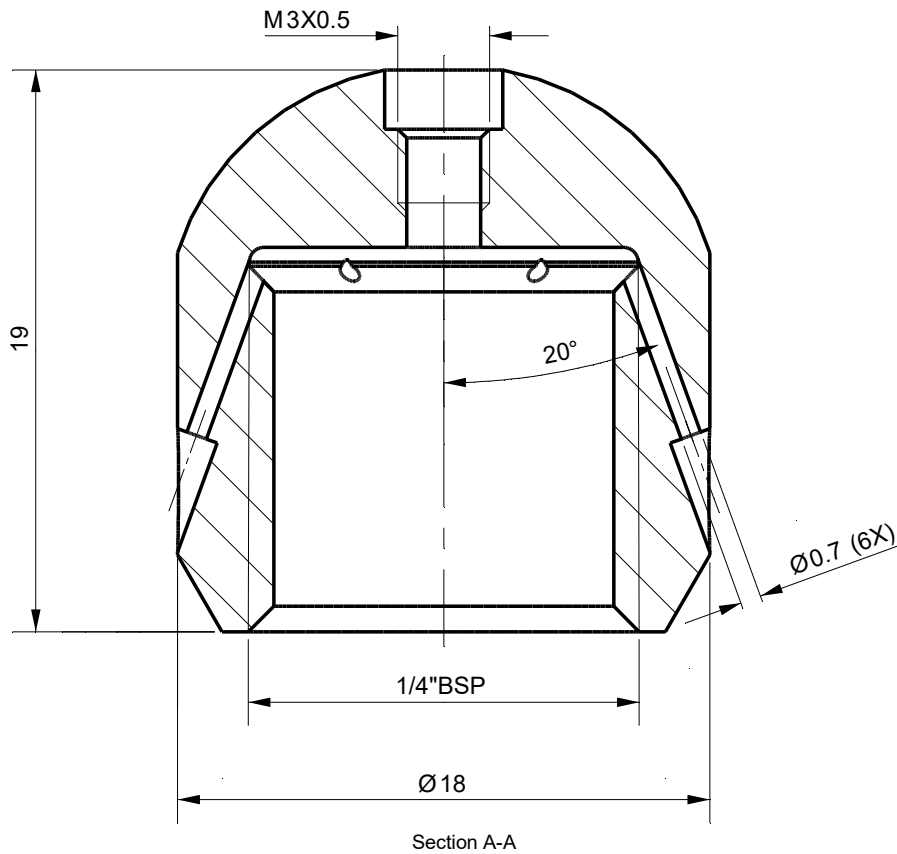


B

C

D

E

**Tolerances**

Unless Otherwise Specified
ACC. DIN-ISO 2768 -1and 2
Angular +/- 0,3°
Corners <0,2x45° / R<0,2

Finish

-

Material

St.St. 316

Dimension (No Decimals)

0 t/m 6	6 t/m 30	30 t/m 120	120 t/m 400	400 t/m 1000
0,1	0,2	0,3	0,5	0,8

Tolerance

Name

Date

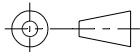
Remarks

Drawn

22-7-2022

Checked

Projection



Drawing remains the property of
Salomon Jetting Parts B.V.

Unit
mm

Number

Project

Size

Drawing nr.

Rev



Salomon Jetting Parts B.V.

Industriestraat 17
3291 CC Strijen
www.sjpbv.com
info@sjpbv.com
+31 (0) 88 126 1900

A4**1-51206070-1****A****4:1**

CAD File

Sheet

1 of 1