

1

2

3

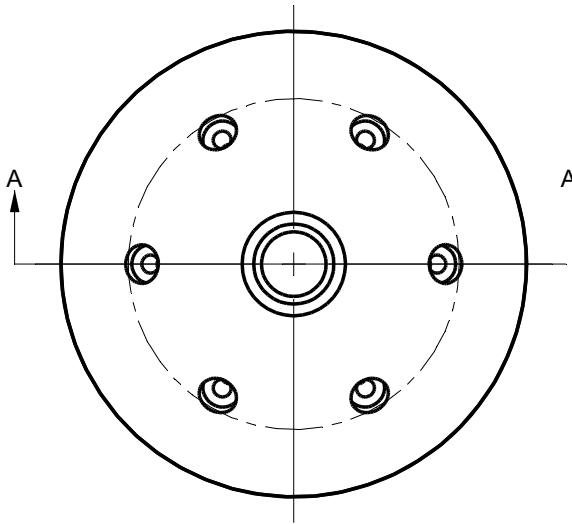
4

Rev.A

date

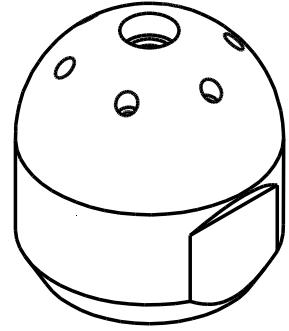
Description revision

A

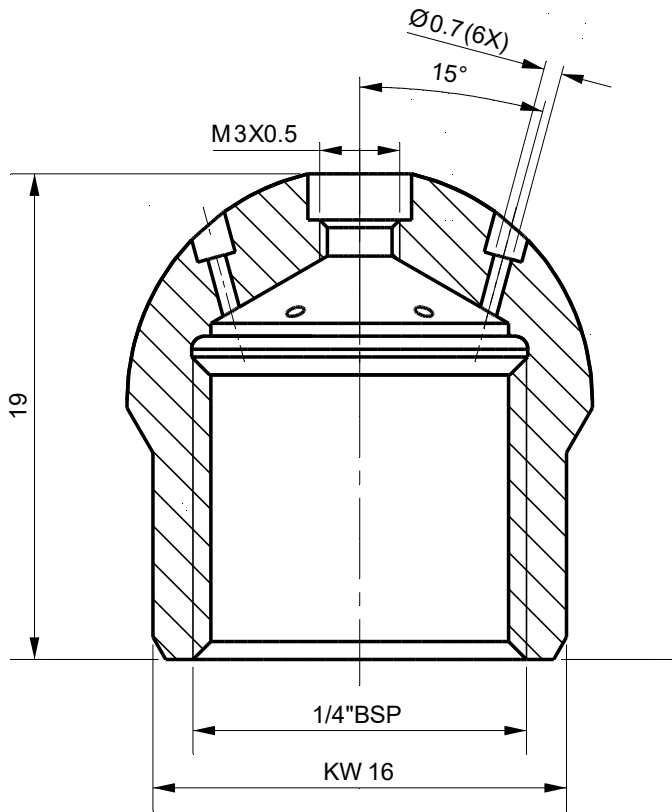


A

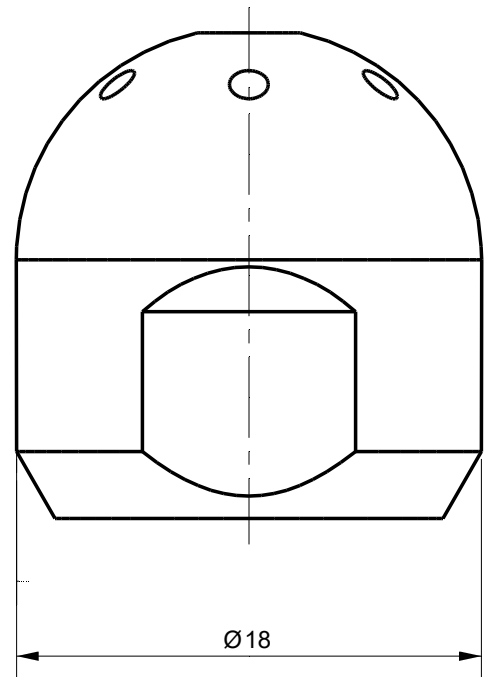
B



C



D



E

Section A-A

Tolerances

Unless Otherwise Specified
ACC. DIN-ISO 2768 -1and 2
Angular $\pm 0,3^\circ$
Corners $<0,2 \times 45^\circ / R < 0,2$

Finish

-

Material

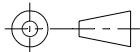
St.St. 316

Dimension (No Decimals)

0 t/m 6	6 t/m 30	30 t/m 120	120 t/m 400	400 t/m 1000
0,1	0,2	0,3	0,5	0,8

Tolerance**Name****Date****Remarks****Description**

Mini Pushing Nozzle 18

Projection

Drawing remains the property of Salomon Jetting Parts B.V.

Unit
mm

Number

ProjectSize
A4

Drawing nr.

1-51206070

Rev

AScale
3.5:1

CAD File

Sheet

1 of 1

F



Salomon Jetting Parts B.V.
Industriestraat 17
3291 CC Strijen
www.sjpbv.com
info@sjpbv.com
+31 (0) 88 126 1900