

1

2

3

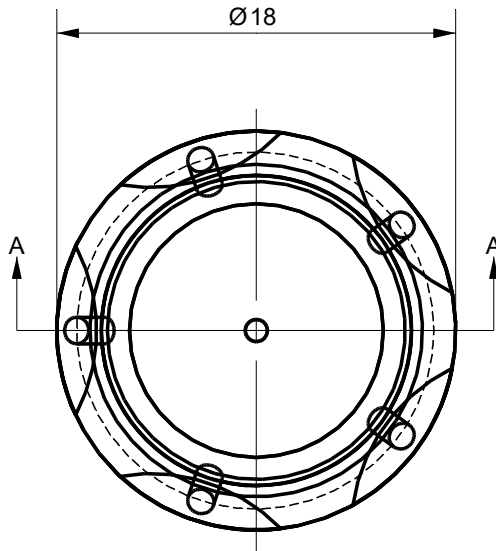
4

Rev.A

date

Description revision

A

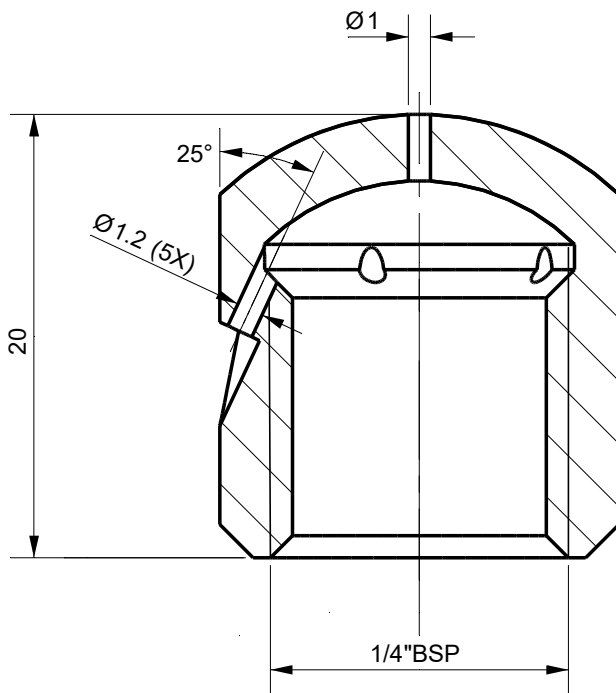


B

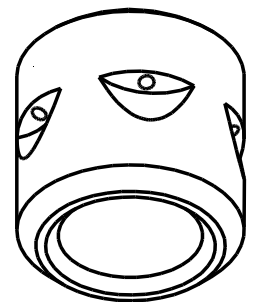
C

D

E



Section A-A

**Tolerances**

Unless Otherwise Specified
ACC. DIN-ISO 2768 -1and 2
Angular +/- 0,3°
Corners <0,2x45° / R<0,2

Finish

-

Material

St.St. 316

Dimension (No Decimals)

0 t/m 6

6 t/m 30

30 t/m 120

120 t/m 400

400 t/m 1000

Tolerance

0,1

0,2

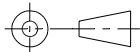
0,3

0,5

0,8

Name**Date****Remarks****Drawn**

13-10-2021

Checked**Projection**

Drawing remains the property of
Salomon Jetting Parts B.V.

Unit

mm

Number**Description**

SJP Mini Nozzle 1/4"BSPF w/ front

Project**Size**

A4

Drawing nr.

1-5121025

Rev

B

Scale

3:1

CAD File**Sheet**

1 of 1



Salomon Jetting Parts B.V.

Industriestraat 17

3291 CC Strijen

www.sjpbv.com

info@sjpbv.com

+31 (0) 88 126 1900