

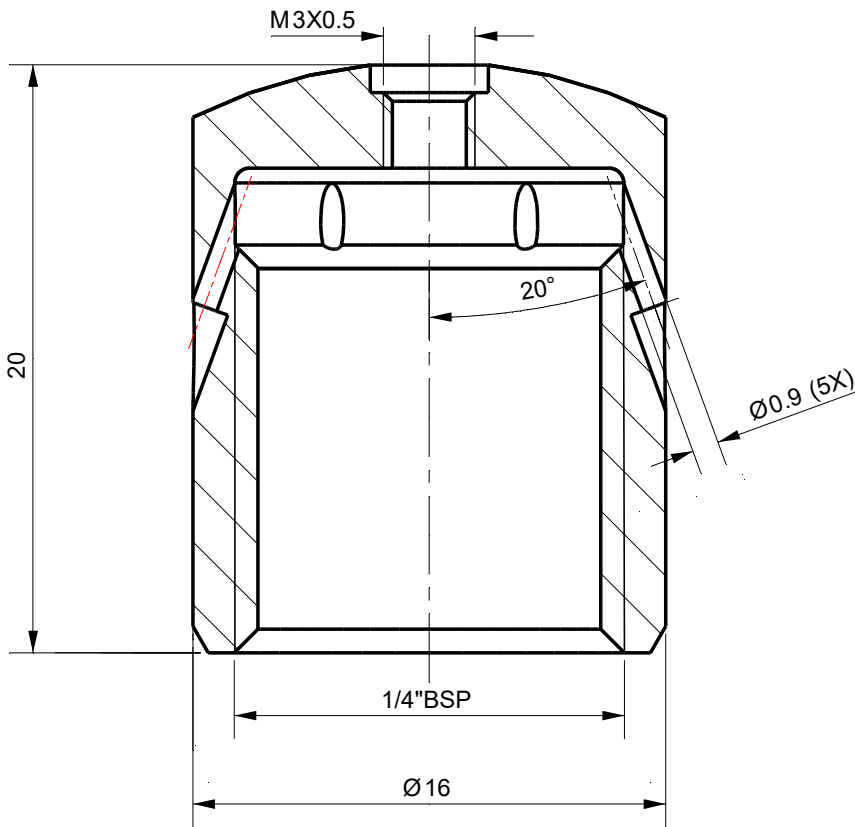
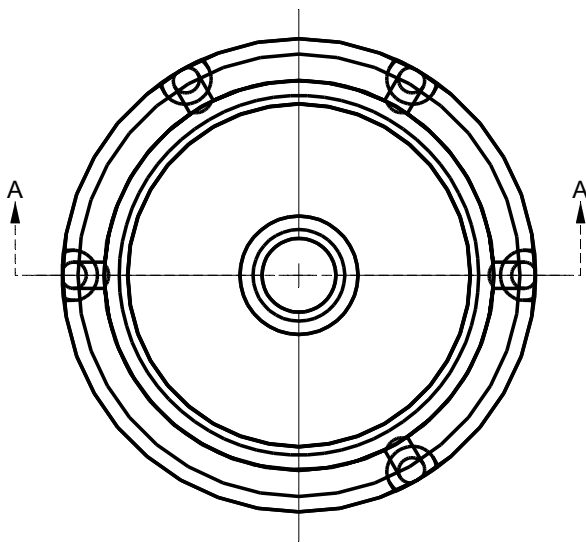
1

2

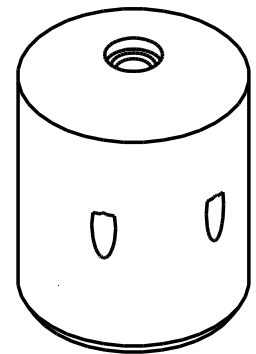
3

4

Rev.A	date	Description revision
Rev.B	11-3-2022	Ø0.8 => Ø0.9



Section A-A

**Tolerances**

Unless Otherwise Specified
ACC. DIN-ISO 2768 -1and 2
Angular +/- 0,3°
Corners <0,2x45° / R<0,2

Finish

-

Material

St.St. 316

Dimension (No Decimals)

0 t/m 6	6 t/m 30	30 t/m 120	120 t/m 400	400 t/m 1000
0,1	0,2	0,3	0,5	0,8

Tolerance**Description**

Mini Nozzle 16 072
Unbalanced

Drawn

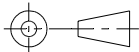
Name

Date

Remarks

Checked

29-11-2021

Projection

Drawing remains the property of
Salomon Jetting Parts B.V.

Unit

mm

Number

Project**Size**

A4

Drawing nr.

1-612072-U

Rev

B

Scale

4:1

CAD File**Sheet**

1 of 1



Salomon Jetting Parts B.V.

Industriestraat 17
3291 CC Strijen
www.sjpbv.com
info@sjpbv.com
+31 (0) 88 126 1900