

1

2

3

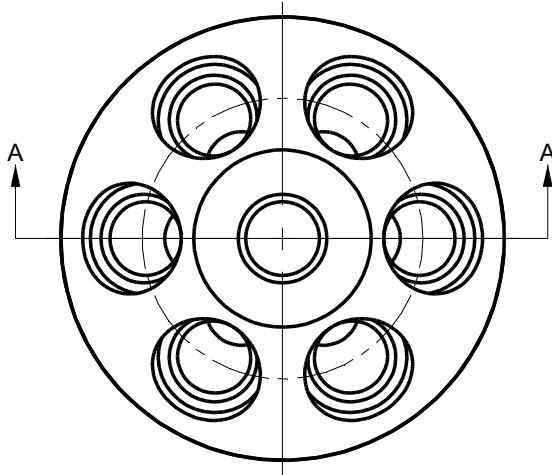
4

Rev.A

date

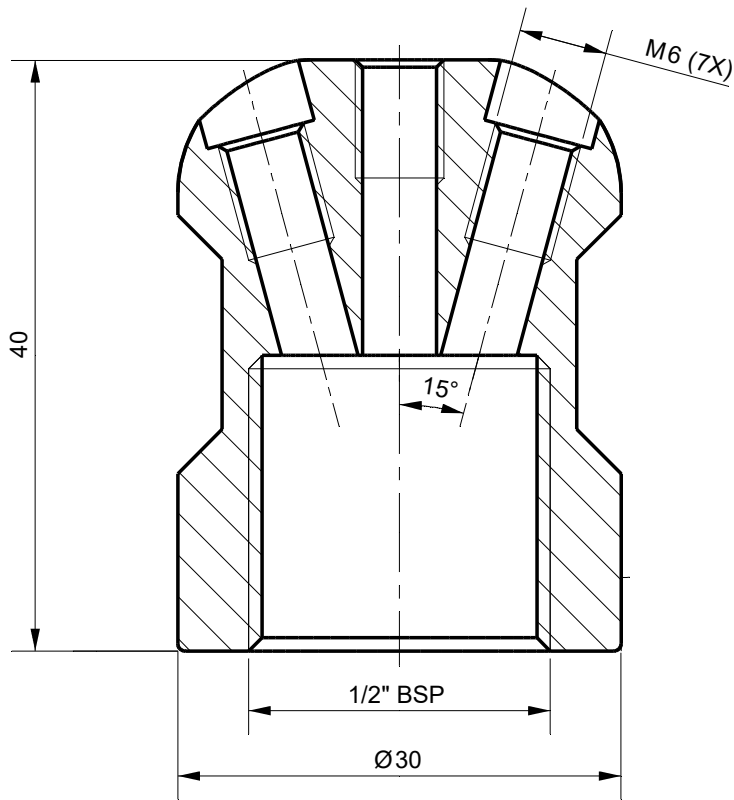
Description revision

A



B

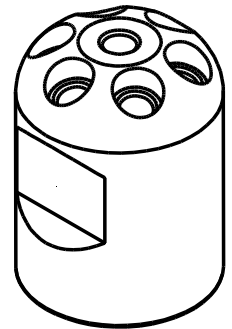
C



D

E

Section A-A

**Tolerances**

Unless Otherwise Specified
ACC. DIN-ISO 2768 -1and 2
Angular +/- 0,3°
Corners <0,2x45° / R<0,2

Finish**Material****Dimension (No Decimals)**

0 t/m 6	6 t/m 30	30 t/m 120	120 t/m 400	400 t/m 1000
0,1	0,2	0,3	0,5	0,8

Tolerance**Drawn**

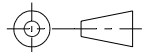
Name

Date

Remarks

Description

Push Nozzle

Checked**Projection**

Drawing remains the property of Salomon Jetting Parts B.V.

Unit

Number

Project

F



Salomon Jetting Parts B.V.
Reedijk 8-1
3274 KE Heinenoord
www.sjpbv.com
info@sjpbv.com
+31 (0) 88 126 1900

Size
A4

Drawing nr.

Rev

A**Scale**
2:1

CAD File

Sheet

1 of 1