

1

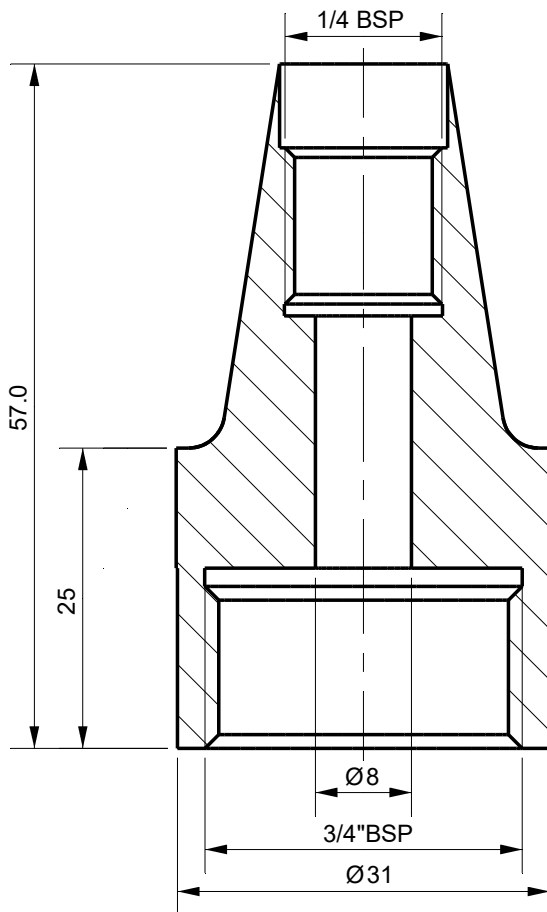
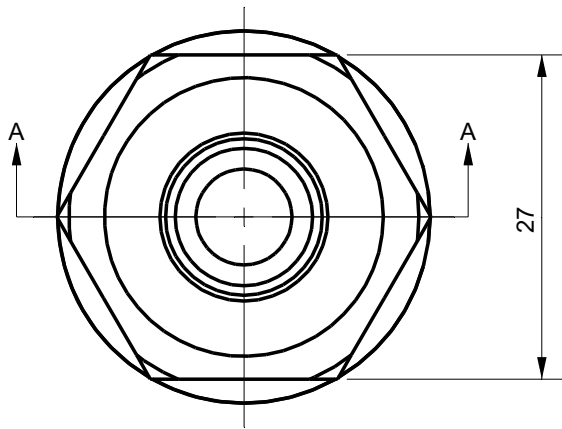
2

3

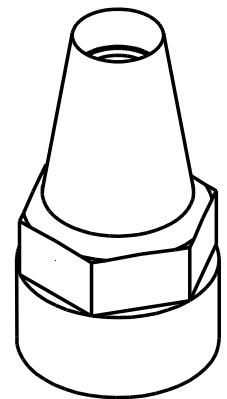
4

Rev.A date

Description revision



Section A-A

**Tolerances**

Unless Otherwise Specified
ACC. DIN-ISO 2768 -1and 2
Angular +/- 0,3°
Corners <math><0,2 \times 45^\circ / R < 0,2</math>

Finish

-

Material

St.St. 316

Dimension (No Decimals)

| 0 t/m 6 | 6 t/m 30 | 30 t/m 120 | 120 t/m 400 | 400 t/m 1000 |
|---------|----------|------------|-------------|--------------|
| 0,1 | 0,2 | 0,3 | 0,5 | 0,8 |

Tolerance

Name

Date

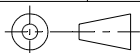
Remarks

Drawn

1-1-2022

Checked

Projection



Drawing remains the property of
Salomon Jetting Parts B.V.

Unit
mm

Number

Project

Size

Drawing nr.

Rev

A4**119029-3****A**

Scale

CAD File

Sheet

1 of 1

Salomon Jetting Parts B.V.
Industriestraat 17
3291 CC Strijen
www.sjpbv.com
info@sjpbv.com
+31 (0) 88 126 1900