

1

2

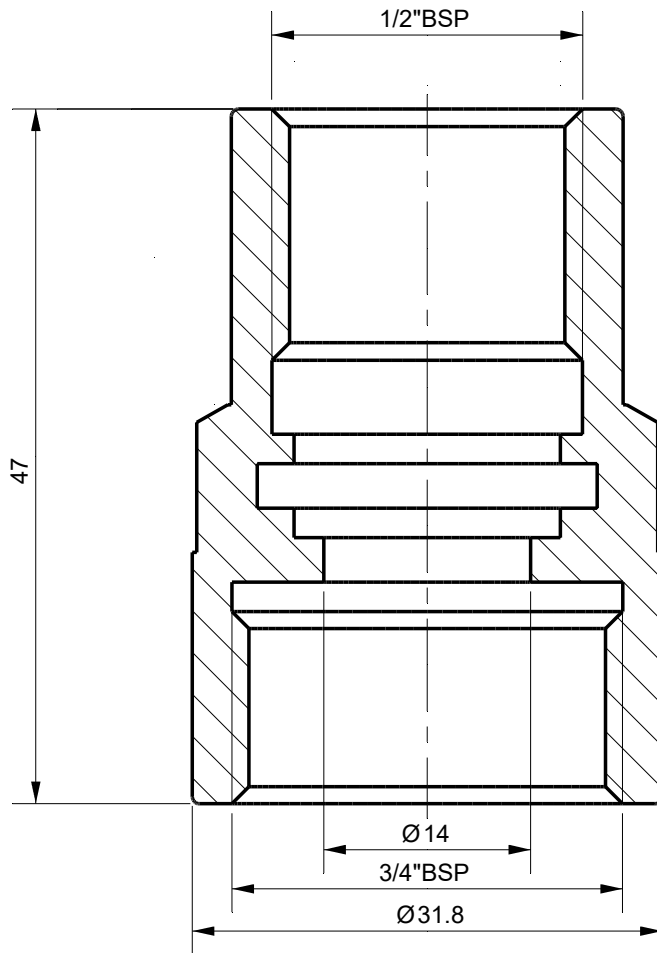
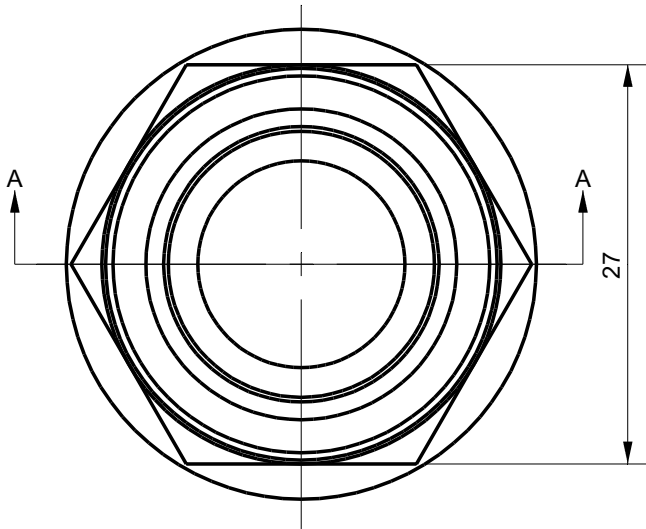
3

4

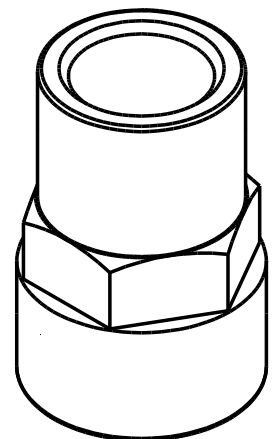
Rev.A

date

Description revision



Section A-A

**Tolerances**

Unless Otherwise Specified  
ACC. DIN-ISO 2768 -1and 2  
Angular +/- 0,3°  
Corners <math><0,2 \times 45^\circ / R<0,2</math>

**Finish**

-

**Material**

St.St. 316

**Dimension (No Decimals)**

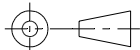
| 0 t/m 6 | 6 t/m 30 | 30 t/m 120 | 120 t/m 400 | 400 t/m 1000 |
|---------|----------|------------|-------------|--------------|
| 0,1     | 0,2      | 0,3        | 0,5         | 0,8          |

**Tolerance****Name****Date**

2-5-2022

**Remarks****Description**

Adapter Longcast Nozzle 1/2"BSP Long

**Projection**

Drawing remains the property of  
Salomon Jetting Parts B.V.

Unit  
mm

Number

**Project**

Salomon Jetting Parts B.V.  
Industriestraat 17  
3291 CC Strijen  
www.sjpbv.com  
info@sjpbv.com  
+31 (0) 88 126 1900

Size  
**A4**

**Drawing nr.****119029-5L****Rev****A**

Scale  
**2:1**

**CAD File****Sheet****1 of 1**