

1

2

3

4

Rev.A

date

Description revision

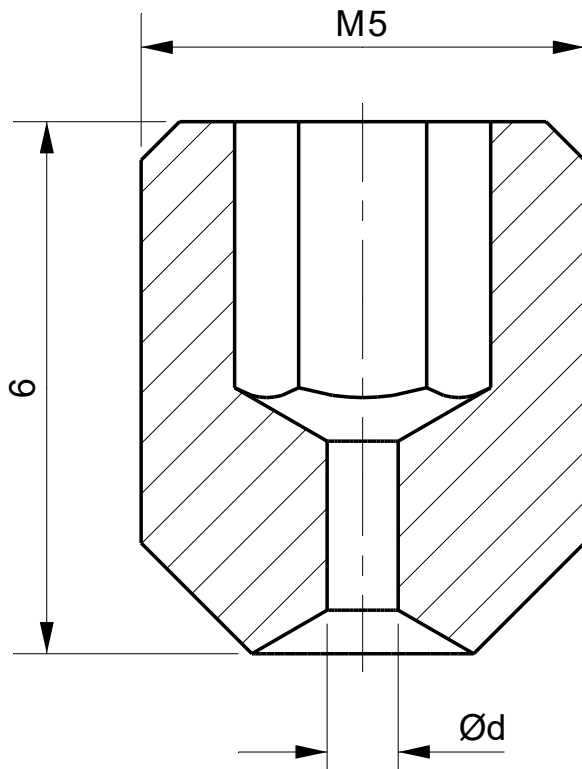
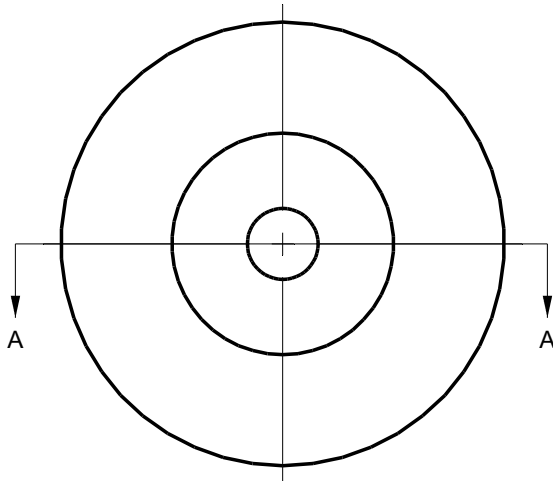
A

B

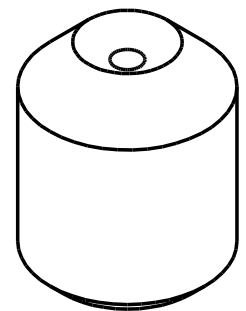
C

D

E



Section A-A

**Tolerances**

Unless Otherwise Specified
ACC. DIN-ISO 2768 -1and 2
Angular +/- 0,3°
Corners <0,2x45° / R<0,2

Finish

-

Material

St.St. 304

Dimension (No Decimals)

0 t/m 6	6 t/m 30	30 t/m 120	120 t/m 400	400 t/m 1000
0,1	0,2	0,3	0,5	0,8

Tolerance

Name

Date

3-4-2023

Checked

Projection

Remarks

Drawing remains the property of
Salomon Jetting Parts B.V.

Unit

mm

Number

Project

Size

Drawing nr.

Rev

A4

1296.xxx

A

Scale

CAD File

Sheet

12:1

1 of 1

1296.xxx

A

12:1

1 of 1

1296.xxx

A

12:1

1 of 1

1296.xxx

A

12:1

1 of 1

Salomon Jetting Parts B.V.
Reedijk 8-1
3274 KE Heinenoord
www.sjpbv.com
info@sjpbv.com
+31 (0) 88 126 1900

A4

12:1

Drawing nr.

1296.xxx

Rev

A

Scale

12:1

CAD File

1 of 1

Sheet

1 of 1

1296.xxx

A

12:1

1 of 1