

1

2

3

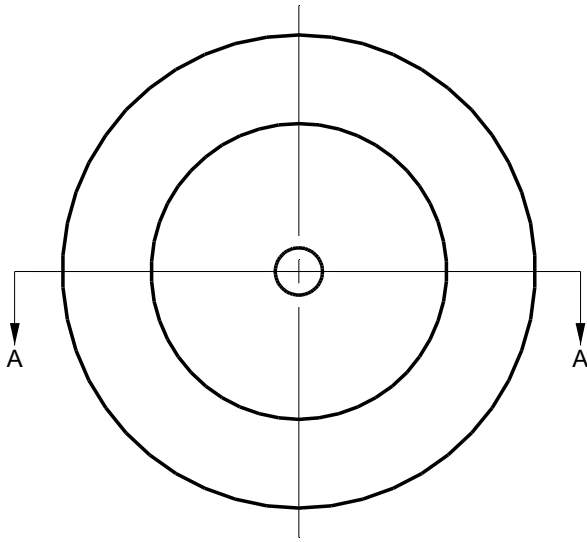
4

Rev.A

date

Description revision

A

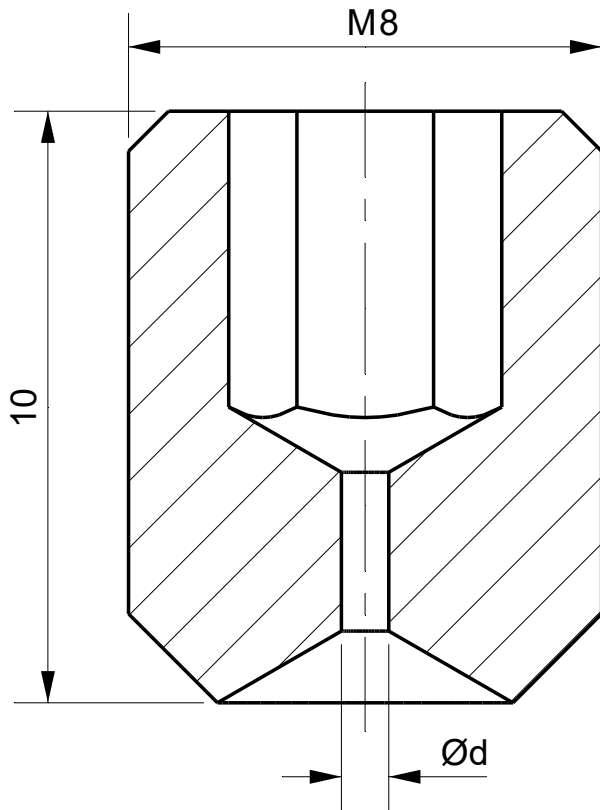


B

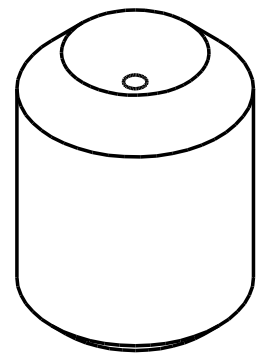
C

D

E



Section A-A

**Tolerances**

Unless Otherwise Specified
ACC. DIN-ISO 2768 -1and 2
Angular +/- 0,3°
Corners <0,2x45° / R<0,2

Finish

-

Material

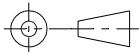
St.St. 304

Dimension (No Decimals)

0 t/m 6	6 t/m 30	30 t/m 120	120 t/m 400	400 t/m 1000
0,1	0,2	0,3	0,5	0,8

Tolerance**Description**

M8 Allen Nozzle

Projection

Drawing remains the property of
Salomon Jetting Parts B.V.

Unit
mm

Number

Project**Size**

Drawing nr.

1298.xxx

Rev

A

Scale

CAD File

Sheet

1 of 1



Salomon Jetting Parts B.V.

Reedijk 8-1
3274 KE Heinenoord
www.sjpbv.com
info@sjpbv.com
+31 (0) 88 126 1900

A4**8:1**