

1

2

3

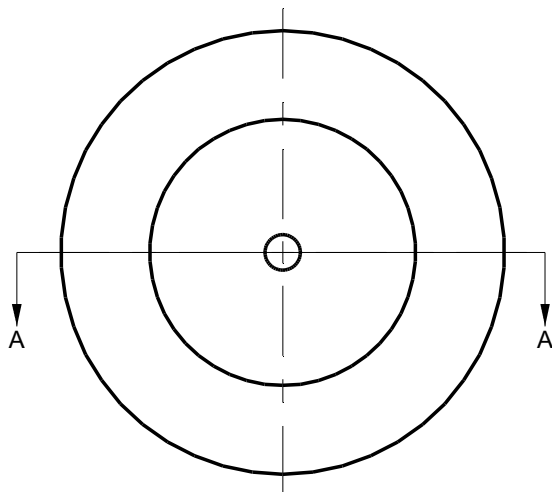
4

Rev.A

date

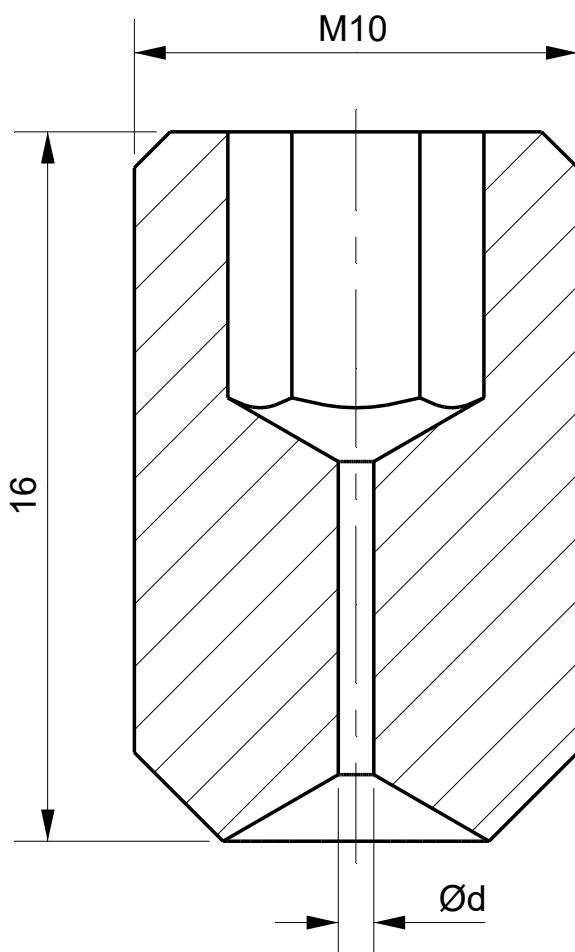
Description revision

A



B

M10



16

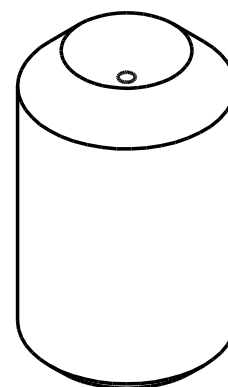
Ød

Section A-A

C

D

E

**Tolerances**

Unless Otherwise Specified

ACC. DIN-ISO 2768 -1and 2

Angular +/- 0,3°

Corners &lt;0,2x45° / R&lt;0,2

**Finish**

-

**Material**

St.St. 304

**Dimension (No Decimals)**

0 t/m 6

6 t/m 30

30 t/m 120

120 t/m 400

400 t/m 1000

**Tolerance**

0,1

0,2

0,3

0,5

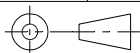
0,8

**Name****Date**

5-4-2023

**Remarks****Description**

M10 Allen Nozzle

**Projection**

Drawing remains the property of Salomon Jetting Parts B.V.

**Unit**

mm

**Number****Project**

F



Salomon Jetting Parts B.V.

Reedijk 8-1

3274 KE Heinenoord

www.sjpbv.com

info@sjpbv.com

+31 (0) 88 126 1900

**Size**

A4

**Drawing nr.**

1299.xxx

**Rev**

A

**Scale**

6:1

**CAD File****Sheet**

1 of 1