

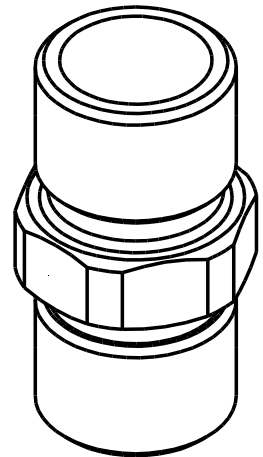
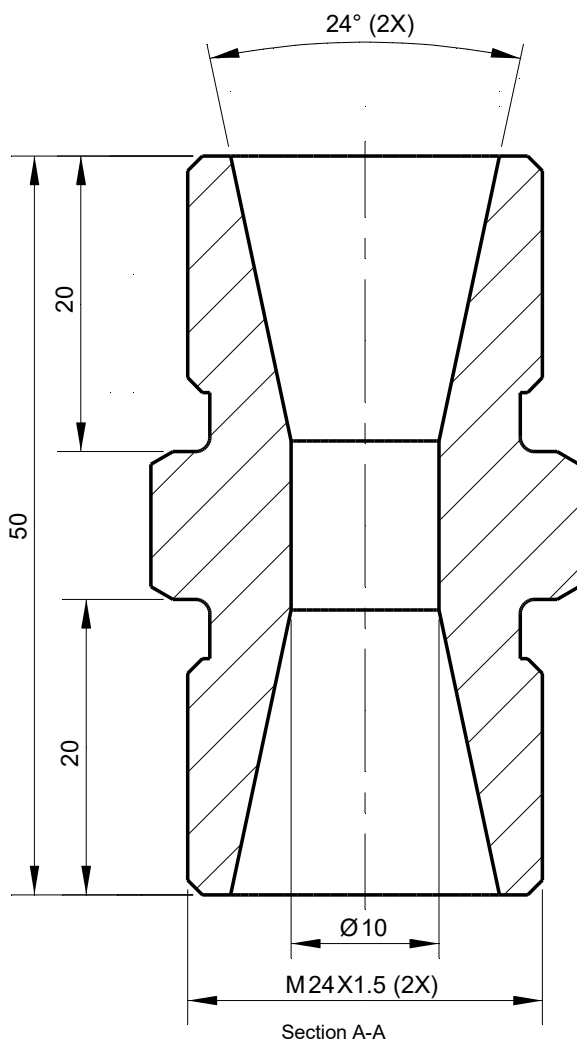
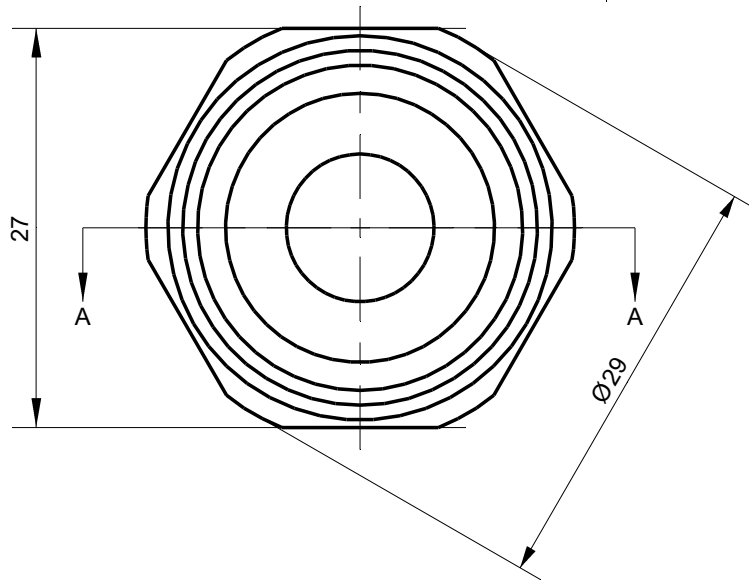
1

2

3

4

Rev.A	date	Description revision
Rev.B	13-9-2021	1500 bar changed to 1800 bar



Tolerances

Unless Otherwise Specified
ACC. DIN-ISO 2768 -1and 2
Angular +/- 0,3°
Corners <math><0,2 \times 45^\circ / R<0,2</math>

Finish

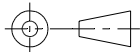
-

Material

St.St. 316

Dimension (No Decimals)	0 t/m 6	6 t/m 30	30 t/m 120	120 t/m 400	400 t/m 1000
Tolerance	0,1	0,2	0,3	0,5	0,8

Projection



Name

Date

Remarks

Drawn

11-3-2020

Checked

Description

Adapter b/s M24X1.5M

Projection

Drawing remains the property of
Salomon Jetting Parts B.V.

Unit
mm

Number

Project



Salomon Jetting Parts B.V.
Industriestraat 17
3291 CC Strijen
www.sjpbv.com
info@sjpbv.com
+31 (0) 88 126 1900

Size
A4

Drawing nr.

195-004

Rev

B

Scale
2:1

CAD File

Sheet

1 of 1