

1

2

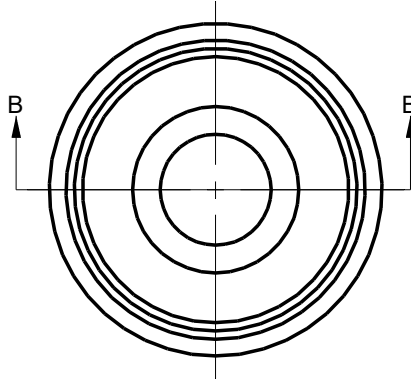
3

4

Rev.A

date

Description revision



Ø 30

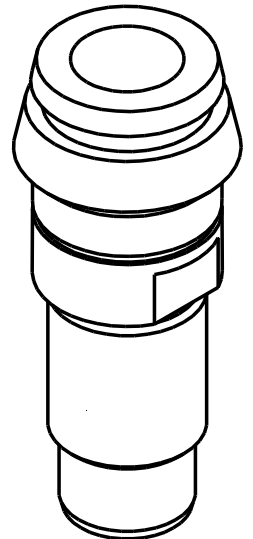
Ø 10

71.3

KW22

1/2" BSP

Section B-B



Tolerances

Unless Otherwise Specified
ACC. DIN-ISO 2768 -1 and 2
Angular +/- 0,3°
Corners <0,2x45° / R<0,2

Finish

-

Material

St.St. 316

Dimension (No Decimals)

0 t/m 6 6 t/m 30 30 t/m 120 120 t/m 400 400 t/m 1000

Tolerance

0,1 0,2 0,3 0,5 0,8

Name

Date

Remarks

Drawn

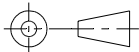
31-8-2023

Checked

Description

Nippel Swivel M36X2
1/2" BSPM - TWK

Projection



Drawing remains the property of
Salomon Jetting Parts B.V.

Unit
mm

Number

Project



Salomon Jetting Parts B.V.
Reedijk 8-1
3274 KE Heinenoord
www.sjpbv.com
info@sjpbv.com
+31 (0) 88 126 1900

Size
A4

Drawing nr.

195-012

Rev

A

Scale
1.5:1

CAD File

Sheet

1 of 1