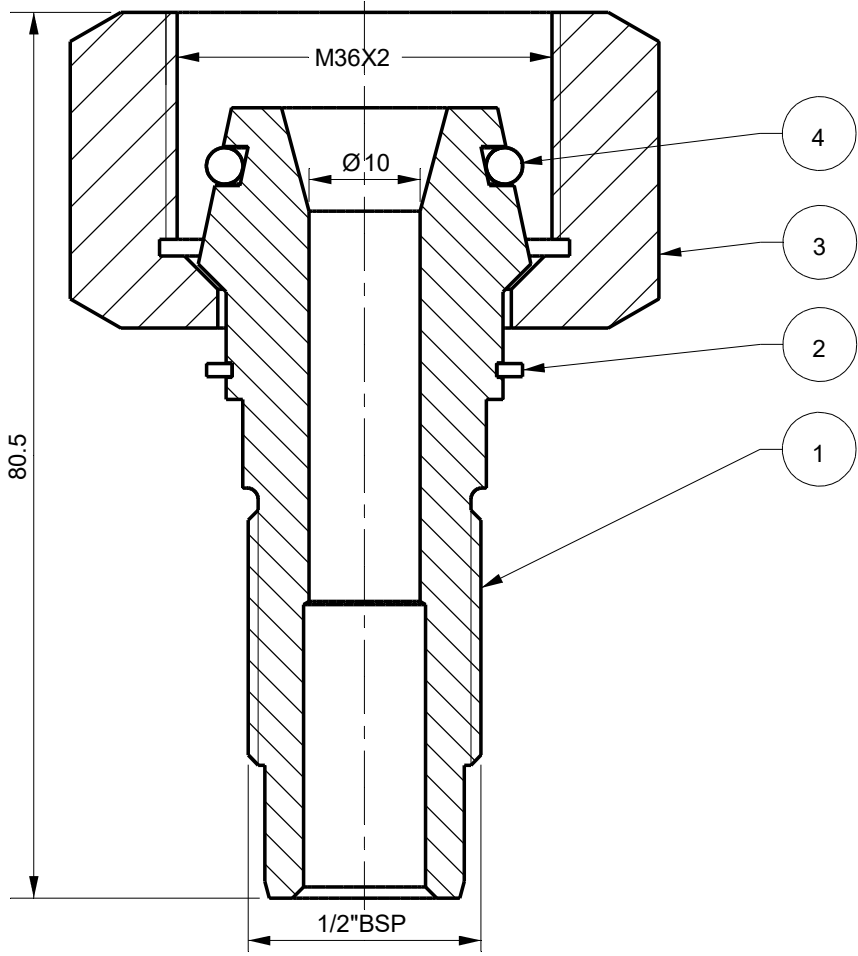
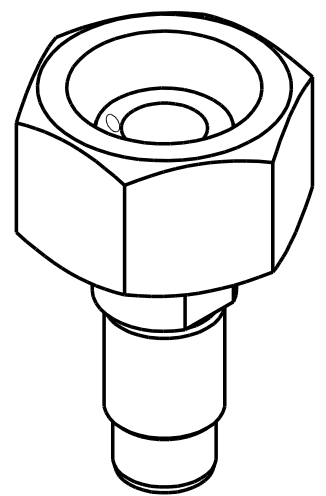


46



80.5

Section A-A



4	1	O-Ring	Rubber	Part. Nr. 98000722
3	1	Swivel Nut M36X2	St. St. 316	Part. Nr. 195-014
2	1	Circlip	St. St. 316	Part. Nr. DIN471.25X1.2
1	1	Nippel Swivel M36X2 - 1/2\"/>		

<b>Tolerances</b> Unless Otherwise Specified ACC. DIN-ISO 2768 -1and 2 Angular +/- 0,3° Corners <0,2x45° / R<0,2	<b>Finish</b> -		<b>Material</b> --									
	<b>Dimension (No Decimals)</b>		0 t/m 6	6 t/m 30	30 t/m 120	120 t/m 400	400 t/m 1000					
<b>Tolerance</b>		0,1	0,2	0,3	0,5	0,8						
<table border="1"> <tr> <th>Name</th> <th>Date</th> <th>Remarks</th> </tr> <tr> <td>Drawn</td> <td>18-10-2023</td> <td></td> </tr> <tr> <td>Checked</td> <td></td> <td></td> </tr> </table>		Name	Date	Remarks	Drawn	18-10-2023		Checked			<b>Description</b> Adapter 1/2\"/>	
Name	Date	Remarks										
Drawn	18-10-2023											
Checked												
<b>Projection</b> 		Drawing remains the property of Salomon Jetting Parts B.V.		<b>Project</b>								