

1

2

3

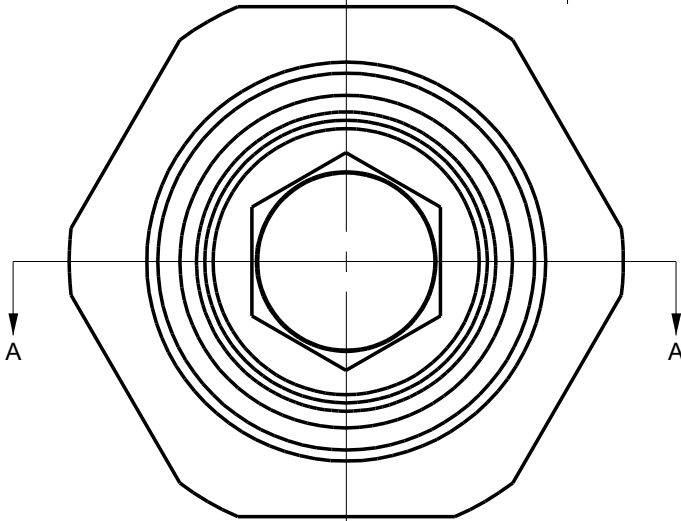
4

Rev.A

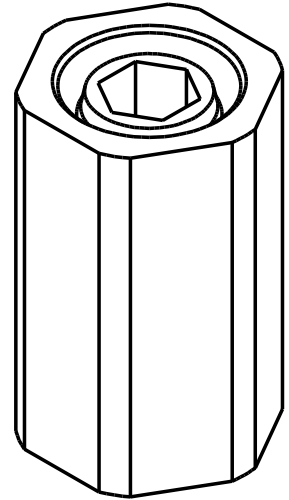
date

Description revision

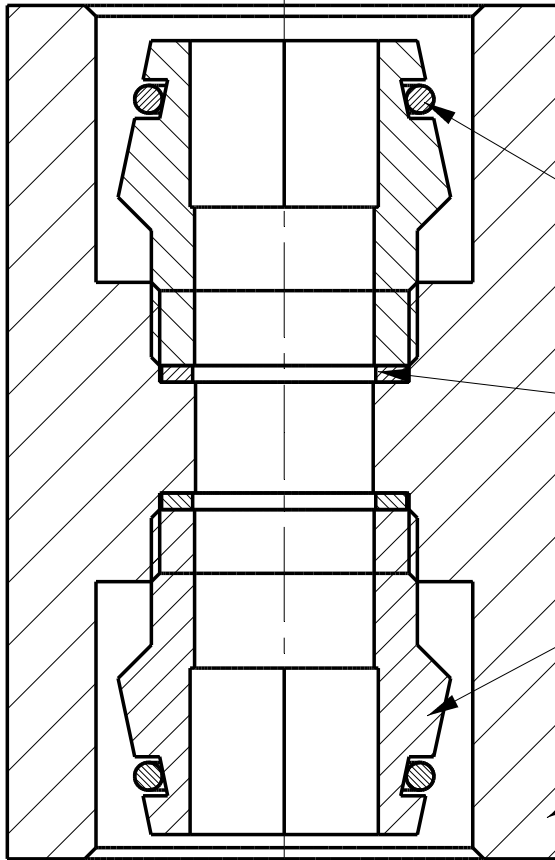
A



B



C



3

4

2

1

D

Section A-A

Pos.	Nr.	Description	Material	Drawing nr.	Remark
4	1	Seal Ring	Ampco 45	584.25.ALB	
3	1	O-ring	NBR		
2	1	Plug Cone	St. St. 316	195-038.02	
1	1	Body	St. St. 316	195-037.01	

<b>Tolerances</b> Unless Otherwise Specified ACC. DIN-ISO 2768 -1and 2 Angular +/- 0,3° Corners <0,2x45° / R<0,2		<b>Finish</b> -		<b>Material</b> --		
<b>Dimension (No Decimals)</b>		0 t/m 6	6 t/m 30	30 t/m 120	120 t/m 400	400 t/m 1000
<b>Tolerance</b>		0,1	0,2	0,3	0,5	0,8
<b>Name</b>	<b>Date</b>	<b>Remarks</b>		<b>Description</b>		
Drawn	27-7-2022			Assembly Adapter M36X2		
Checked						
<b>Projection</b>		Drawing remains the property of Salomon Jetting Parts B.V.		<b>Unit</b> mm	<b>Number</b>	<b>Project</b>
		Salomon Jetting Parts B.V. Industriestraat 17 3291 CC Strijen www.sjpbv.com info@sjpbv.com +31 (0) 88 126 1900		<b>Size</b> A4	<b>Drawing nr.</b> 195-037	<b>Rev</b> A
				<b>Scale</b> 1.5:1	<b>CAD File</b>	<b>Sheet</b> 1 of 1