

1

2

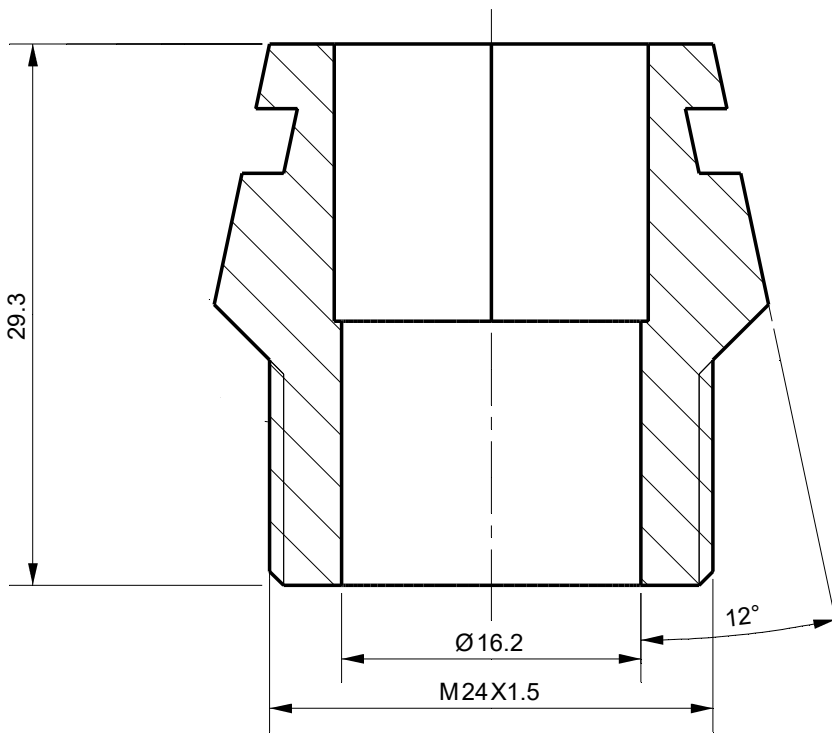
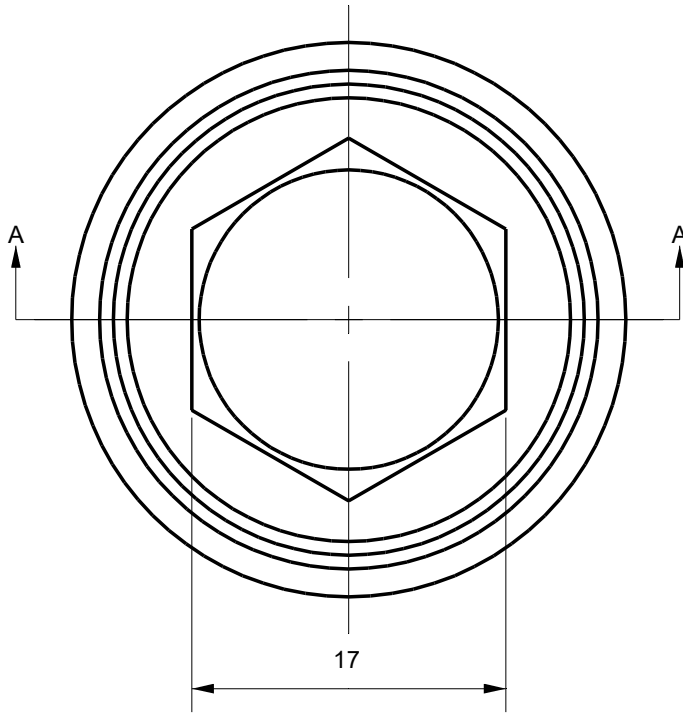
3

4

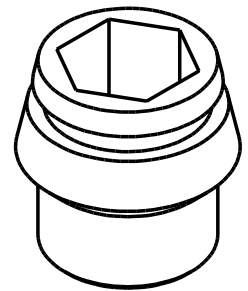
Rev.A

date

Description revision



Section A-A

**Tolerances**

Unless Otherwise Specified
ACC. DIN-ISO 2768 -1and 2
Angular +/- 0,3°
Corners <0,2x45° / R<0,2

Finish

-

Material

St.St.316

Dimension (No Decimals)

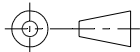
0 t/m 6	6 t/m 30	30 t/m 120	120 t/m 400	400 t/m 1000
0,1	0,2	0,3	0,5	0,8

Tolerance**Description**

Plug M36 cone Ø16 MM
w/o Ring st.st.

Name**Date**

27-7-2022

Remarks**Checked****Projection**

Drawing remains the property of
Salomon Jetting Parts B.V.

Unit
mm

Number

Project

Salomon Jetting Parts B.V.
Industriestraat 17
3291 CC Strijen
www.sjpbv.com
info@sjpbv.com
+31 (0) 88 126 1900

Size
A4

Drawing nr.**195-038.02****Rev****A**

Scale
2.5:1

CAD File**Sheet****1 of 1**