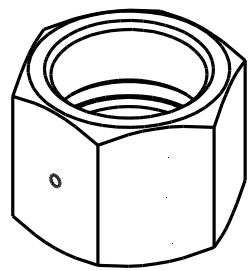
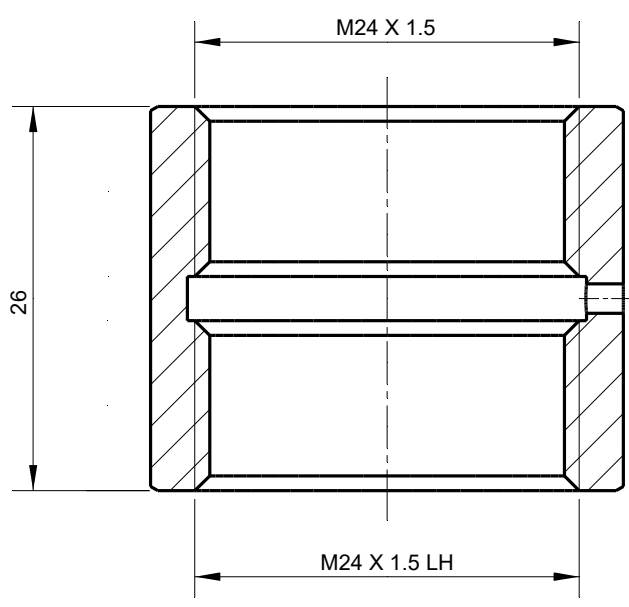
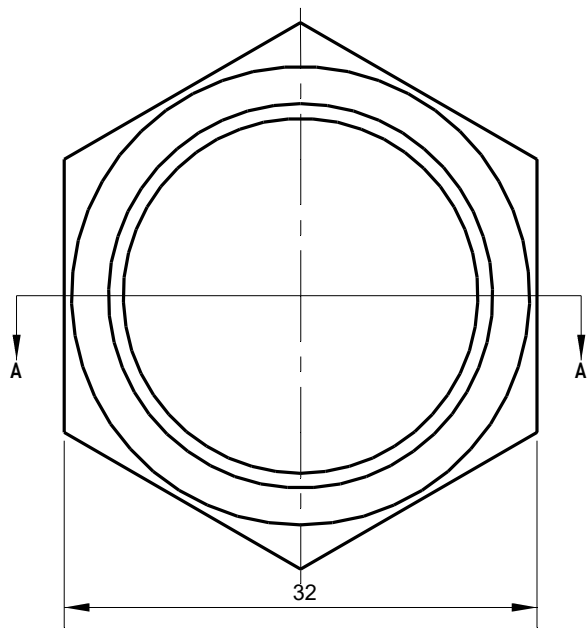
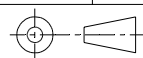

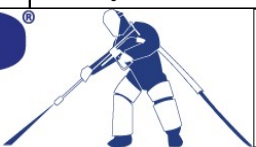


A  
B  
C  
D  
E  
F



Section A-A

<b>Tolerances</b> Unless Otherwise Specified ACC. DIN-ISO 2768 -1en 2 Angular +/- 0,3° Corners <0,2x45° / R<0,2		<b>Finish</b> -					<b>Material</b> St. 1.4112			
		<b>Dimension</b>	0 t/m 6	6 t/m 30	30 t/m 120	120 t/m 400	400 t/m 1000			
		<b>Tolerance</b>	0,1	0,2	0,3	0,5	0,8			
<b>Name</b> _____ <b>Date</b> 18-7-2019		<b>Remarks</b> _____ _____ _____					<b>Description</b> Combinut M24X1.5 F / M24X1.5 LHM			
<b>Drawn</b> _____ <b>Checked</b> _____		Drawing remains the property of Salomon Jetting Parts B.V.					<b>Project</b> _____			
<b>Projection</b> 		<b>Unit</b> mm	<b>Number</b> _____		<b>Size</b> A4			<b>Drawing nr.</b> 195-056.1		<b>Rev</b> A
 		Salomon Jetting Parts B.V. Industriestraat 17 3291 CC Strijen www.sjpbv.com info@sjpbv.com +31 (0) 88 126 1900			<b>Scale</b> 1:1		<b>CAD File</b> _____		<b>Sheet</b> 1 of 1	