

1

2

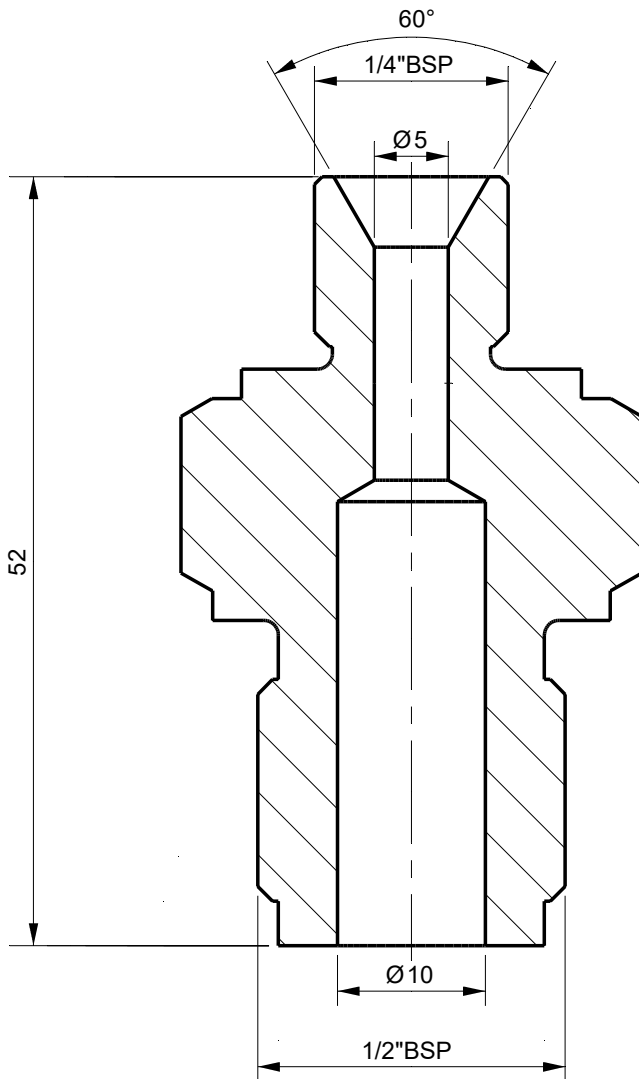
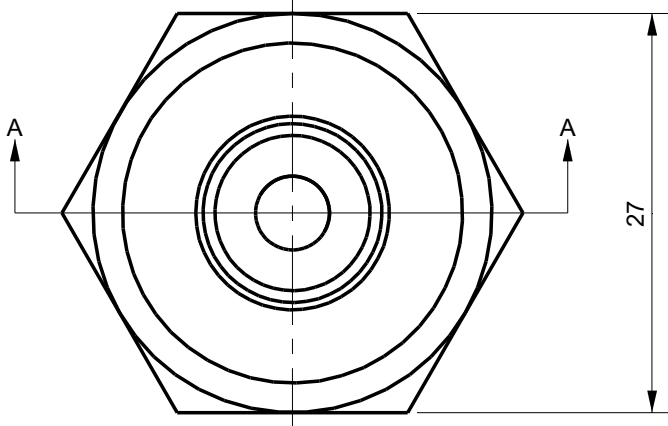
3

4

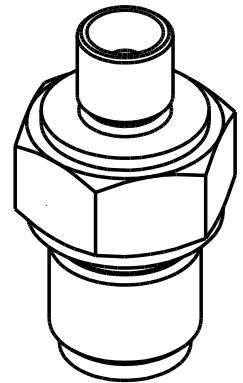
Rev.A

date

Description revision



Section A-A

**Tolerances**

Unless Otherwise Specified
ACC. DIN-ISO 2768 -1and 2
Angular +/- 0,3°
Corners <0,2x45° / R<0,2

Finish

-

Material

St.St. 316

Dimension (No Decimals)

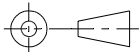
0 t/m 6	6 t/m 30	30 t/m 120	120 t/m 400	400 t/m 1000
0,1	0,2	0,3	0,5	0,8

Tolerance**Name****Date**

23-6-2021

Remarks**Description**

Adapter 1/4"BSPM -
1/2"BSPM Flat 1500 bar

Projection

Drawing remains the property of
Salomon Jetting Parts B.V.

Unit

mm

Number**Project****Size**

A4

Drawing nr.

195-115

Rev

A

Scale

2:1

CAD File**Sheet**

1 of 1



Salomon Jetting Parts B.V.

Industriestraat 17
3291 CC Strijen
www.sjpbv.com
info@sjpbv.com
+31 (0) 88 126 1900