

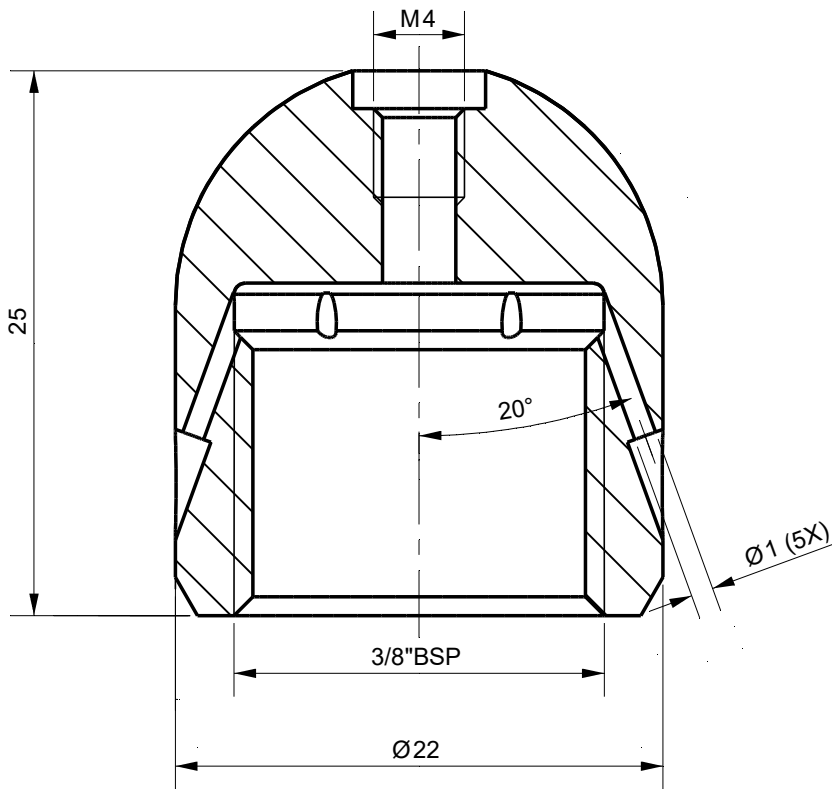
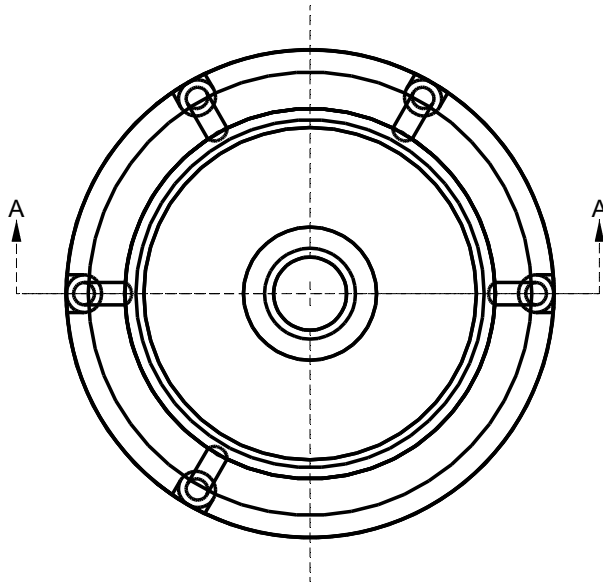
1

2

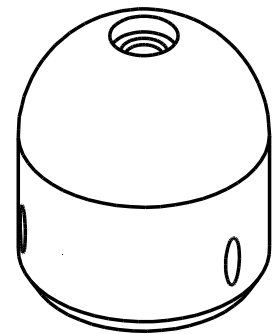
3

4

Rev.A	date	Description revision
Rev.B	11-3-2022	Ø0.9 => Ø1



Section A-A

**Tolerances**

Unless Otherwise Specified
ACC. DIN-ISO 2768 -1and 2
Angular +/- 0,3°
Corners <0,2x45° / R<0,2

Finish

-

Material

St.St.316

Dimension (No Decimals)

0 t/m 6 6 t/m 30 30 t/m 120 120 t/m 400 400 t/m 1000

Tolerance

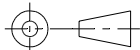
0,1 0,2 0,3 0,5 0,8

Name**Date****Remarks****Drawn**

27-11-2021

Checked**Description**

Button Nozzle 22 074
Unbalanced

Projection

Drawing remains the property of
Salomon Jetting Parts B.V.

Unit

mm

Number**Project**

Salomon Jetting Parts B.V.
Industriestraat 17
3291 CC Strijen
www.sjpbv.com
info@sjpbv.com
+31 (0) 88 126 1900

Size
A4

Drawing nr.

2-610096-U

Rev**B**

Scale
3:1

CAD File**Sheet**

1 of 1