

1

2

3

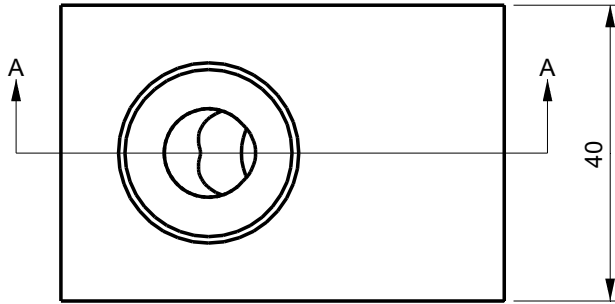
4

Rev.A

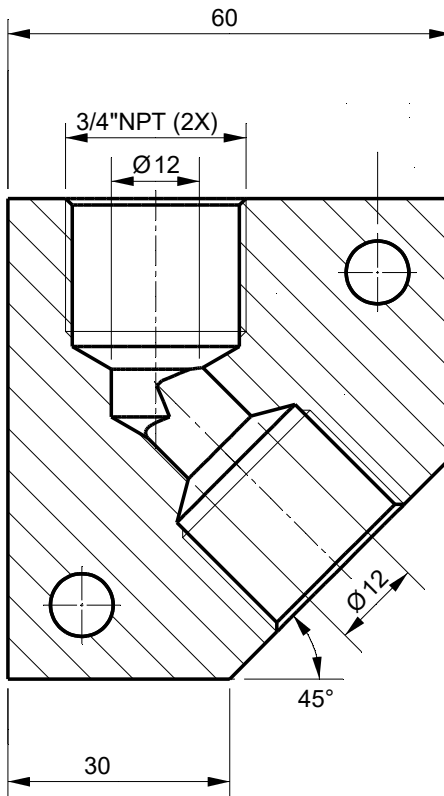
date

Description revision

A



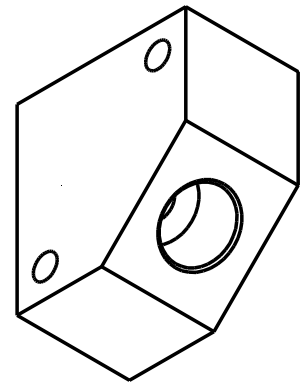
B



C

D

Section A-A



E

**Tolerances**

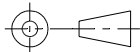
Unless Otherwise Specified  
ACC. DIN-ISO 2768 -1and 2  
Angular +/- 0,3°  
Corners <0,2x45° / R<0,2

**Finish**

Dimension (No Decimals)	0 t/m 6	6 t/m 30	30 t/m 120	120 t/m 400	400 t/m 1000
Tolerance	0,1	0,2	0,3	0,5	0,8

**Material**

St.St. 316

**Projection****Name****Date****Remarks**

Drawn

16-12-2023

Checked

Drawing remains the property of  
Salomon Jetting Parts B.V.Unit  
mm

Number

**Description**

Manifold 3/4" 45°

**Project**

F



Salomon Jetting Parts B.V.  
Reedijk 8-1  
3274 KE Heinenoord  
www.sjpbv.com  
info@sjpbv.com  
+31 (0) 88 126 1900

Size  
**A4**

Drawing nr.

**20-004-017-S**

Rev

**A**Scale  
**1:1**

CAD File

Sheet

**1 of 1**