

1

2

3

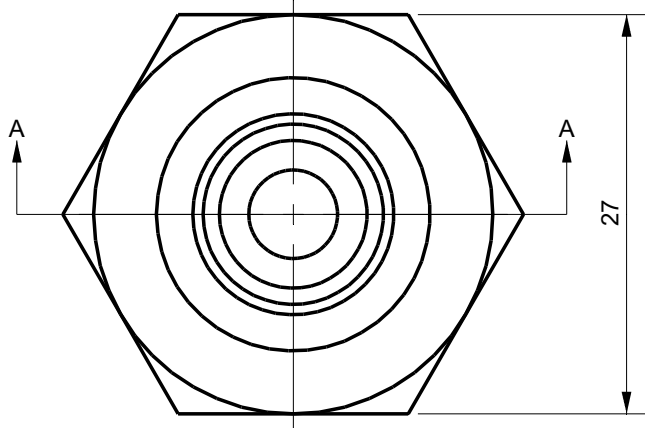
4

Rev.A

date

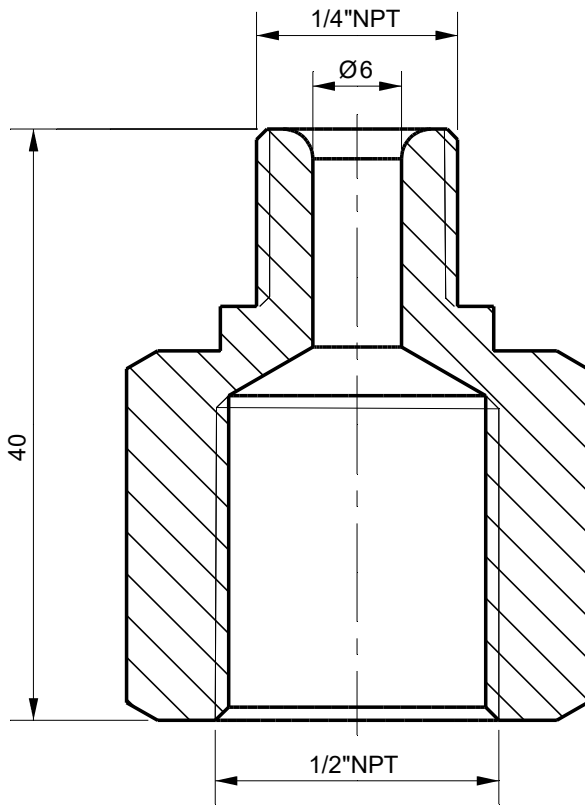
Description revision

A



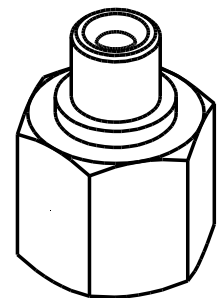
B

C



D

E

**Tolerances**

Unless Otherwise Specified
ACC. DIN-ISO 2768 -1and 2
Angular +/- 0,3°
Corners <0,2x45° / R<0,2

Finish

-

Material

St.St. 316

Dimension (No Decimals)

0 t/m 6

6 t/m 30

30 t/m 120

120 t/m 400

400 t/m 1000

Tolerance

0,1

0,2

0,3

0,5

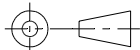
0,8

Drawn

Name

Date

15-7-2024

Checked**Projection****Remarks**

Drawing remains the property of
Salomon Jetting Parts B.V.

Unit

mm

Number**Description**

Adapter 1/4"NPTM -
1/2"NPTF 1000 bar

Project

F



Salomon Jetting Parts B.V.
Reedijk 8-1
3274 KE Heinenoord
www.sjpbv.com
info@sjpbv.com
+31 (0) 88 126 1900

Size
A4

Drawing nr.**20-009-002-S****Rev****A****2:1****CAD File****Sheet****1 of 1**