

1

2

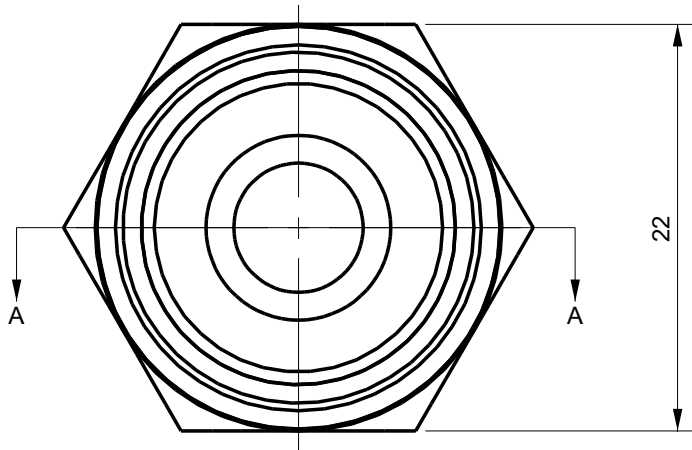
3

4

Rev.A

date

Description revision



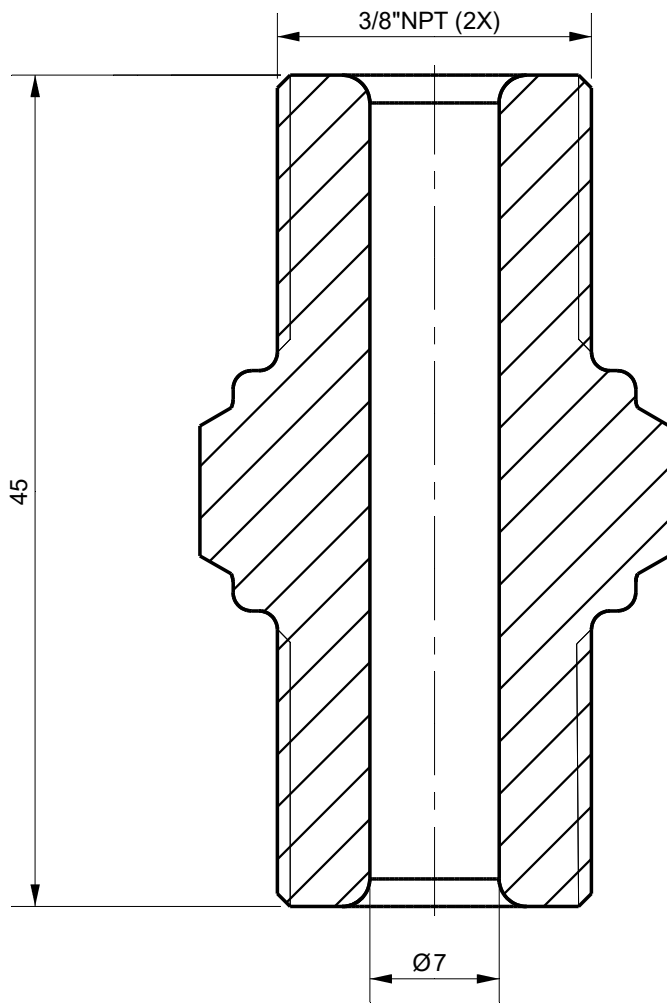
A

B

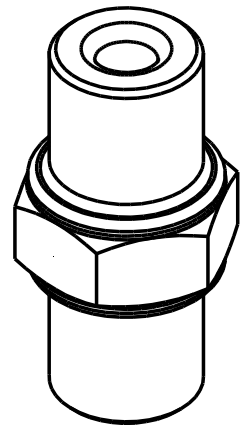
C

D

E



Section A-A

**Tolerances**

Unless Otherwise Specified
ACC. DIN-ISO 2768 -1and 2
Angular +/- 0,3°
Corners <0,2x45° / R<0,2

Finish

-

Material

St.St.316

Dimension (No Decimals)

0 t/m 6	6 t/m 30	30 t/m 120	120 t/m 400	400 t/m 1000
0,1	0,2	0,3	0,5	0,8

Tolerance

Name

Date

19-12-2023

Checked

Projection

Remarks

Drawing remains the property of
Salomon Jetting Parts B.V.

Unit
mm

Number

Description

Adapter 3/8"NPTM 1100 bar

Project

Size

A4

Drawing nr.

20-011-006-S

Rev

A

Scale

2.5:1

CAD File

Sheet

1 of 1



Salomon Jetting Parts B.V.

Reedijk 8-1
3274 KE Heinenoord
www.sjpbv.com
info@sjpbv.com
+31 (0) 88 126 1900