

1

2

3

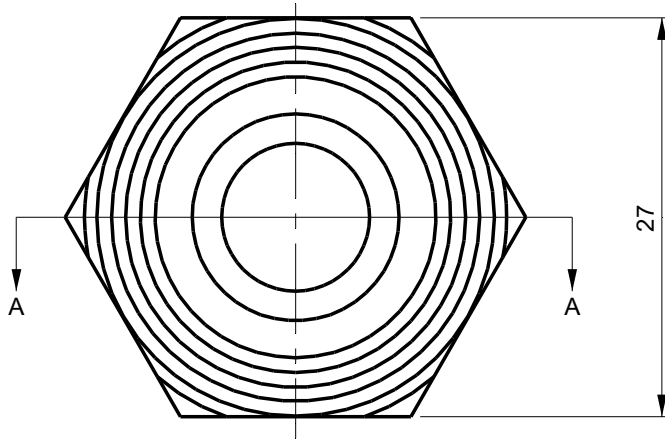
4

Rev.A

date

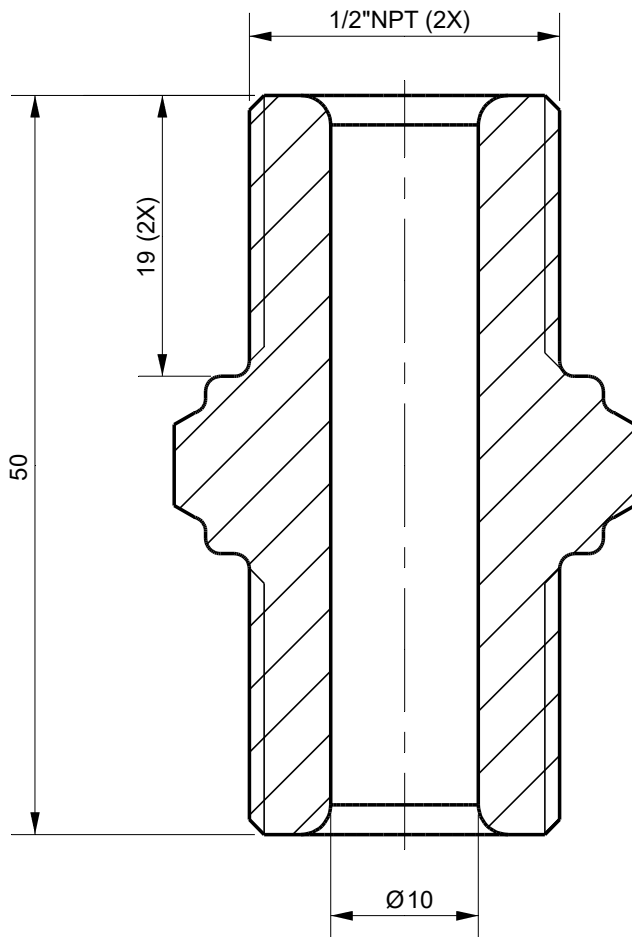
Description revision

A



B

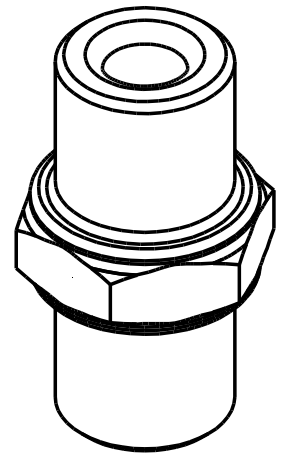
C



D

E

Section A-A

**Tolerances**

Unless Otherwise Specified  
ACC. DIN-ISO 2768 -1and 2  
Angular +/- 0,3°  
Corners <0,2x45° / R<0,2

**Finish**

-

**Material**

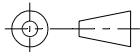
St.St. 316

**Dimension (No Decimals)**

0 t/m 6	6 t/m 30	30 t/m 120	120 t/m 400	400 t/m 1000
0,1	0,2	0,3	0,5	0,8

**Tolerance****Description**

Adapter 1/2"NPTM 1100 bar

**Projection**

Drawing remains the property of  
Salomon Jetting Parts B.V.

Unit  
mm

Number

**Project**

F



Salomon Jetting Parts B.V.  
Industriestraat 17  
3291 CC Strijen  
www.sjpbv.com  
info@sjpbv.com  
+31 (0) 88 126 1900

Size  
**A4**

**Drawing nr.****20-011-008-S****Rev****A**

Scale  
**2:1**

**CAD File****Sheet****1 of 1**