

1

2

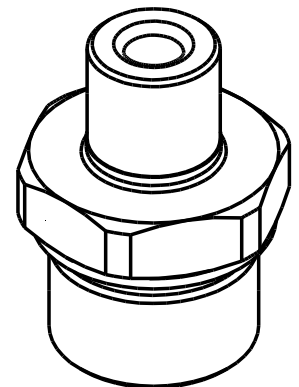
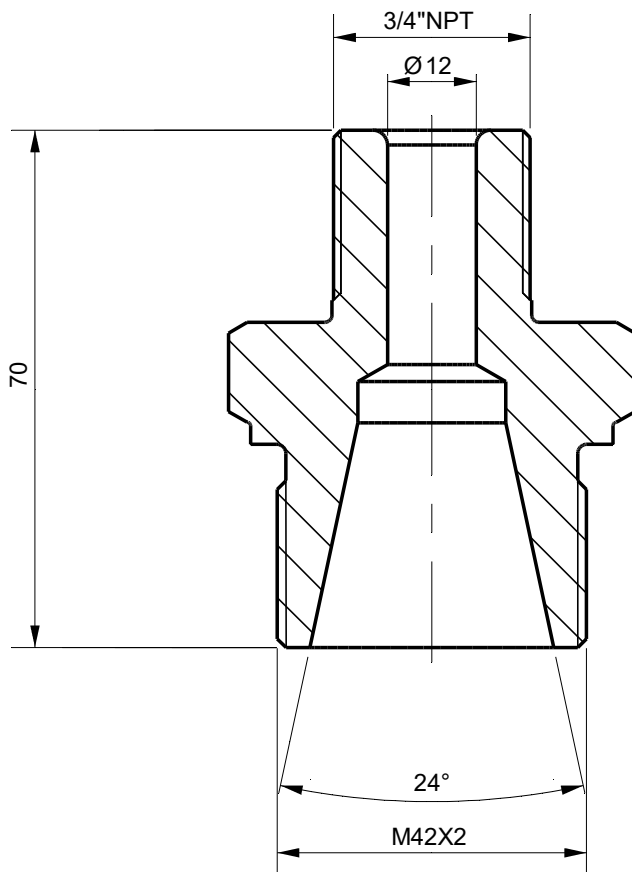
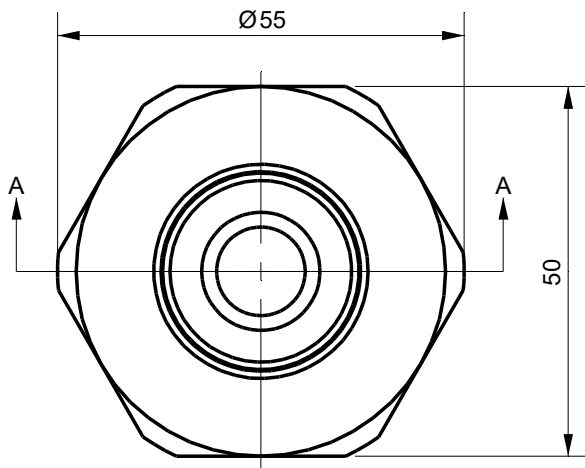
3

4

Rev.A

date

Description revision



Section A-A

Tolerances

Unless Otherwise Specified
ACC. DIN-ISO 2768 -1and 2
Angular +/- 0,3°
Corners <math>0,2 \times 45^\circ / R<0,2</math>

Finish

-

Material

St.St. 316

| Dimension (No Decimals) | 0 t/m 6 | 6 t/m 30 | 30 t/m 120 | 120 t/m 400 | 400 t/m 1000 |
|-------------------------|---------|----------|------------|-------------|--------------|
| Tolerance | 0,1 | 0,2 | 0,3 | 0,5 | 0,8 |

Corners <math>0,2 \times 45^\circ / R<0,2</math>

Angular +/- 0,3°

ACC. DIN-ISO 2768 -1and 2

Unless Otherwise Specified

Tolerances

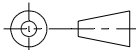
Unless Otherwise Specified
ACC. DIN-ISO 2768 -1and 2
Angular +/- 0,3°
Corners <math>0,2 \times 45^\circ / R<0,2</math>

Finish

-

Description

Adapter 3/4"NPTM - M42X2M

Projection

Drawing remains the property of
Salomon Jetting Parts B.V.

Unit
mm

Number

Project

Size

A4

Drawing nr.

20-019-168-S

Rev

A

Scale

1:1

CAD File

Sheet

1 of 1



Salomon Jetting Parts B.V.
Industriestraat 17
3291 CC Strijen
www.sjpbv.com
info@sjpbv.com
+31 (0) 88 126 1900