

1

2

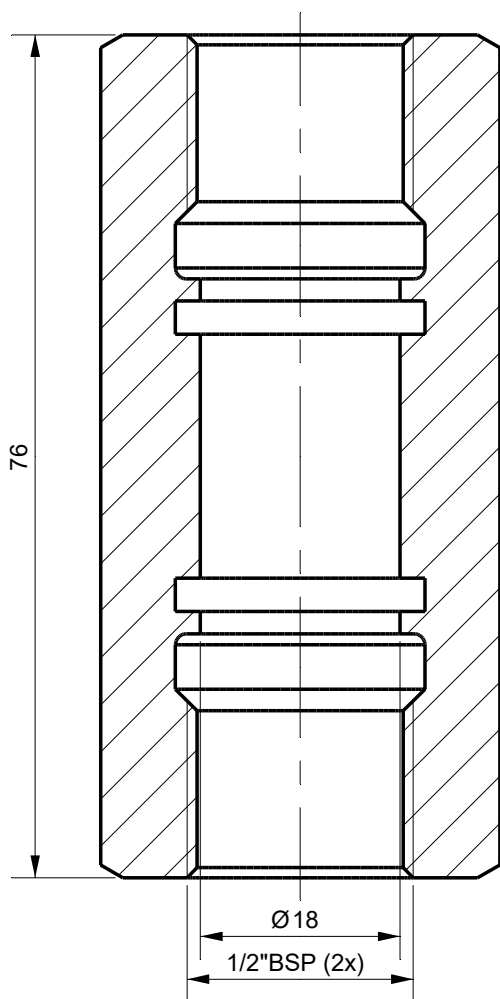
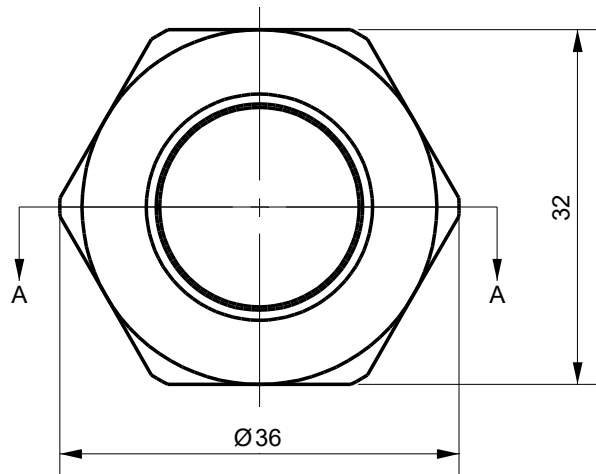
3

4

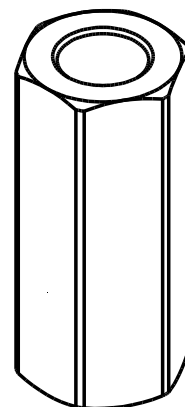
Rev.A

date

Description revision



Section A-A

**Tolerances**

Unless Otherwise Specified

ACC. DIN-ISO 2768 -1and 2

Angular +/- 0,3°

Corners &lt;0,2x45° / R&lt;0,2

**Finish**

-

**Material**

St.St. 316

**Dimension (No Decimals)**

0 t/m 6

6 t/m 30

30 t/m 120

120 t/m 400

400 t/m 1000

**Tolerance**

0,1

0,2

0,3

0,5

0,8

Name

Date

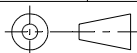
Remarks

Drawn

14-7-2022

Checked

Projection



Drawing remains the property of Salomon Jetting Parts B.V.

Unit

mm

Number

Project

Description

Lance Connector  
TWK 1/2" BSP

Project

Size

A4

Drawing nr.

20-026-215-S

Rev

A

Scale

1.5:1

CAD File

Sheet

1 of 1



Salomon Jetting Parts B.V.

Industriestraat 17

3291 CC Strijen

www.sjpbv.com

info@sjpbv.com

+31 (0) 88 126 1900