

1

2

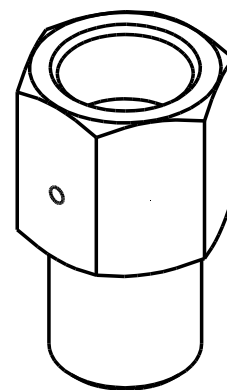
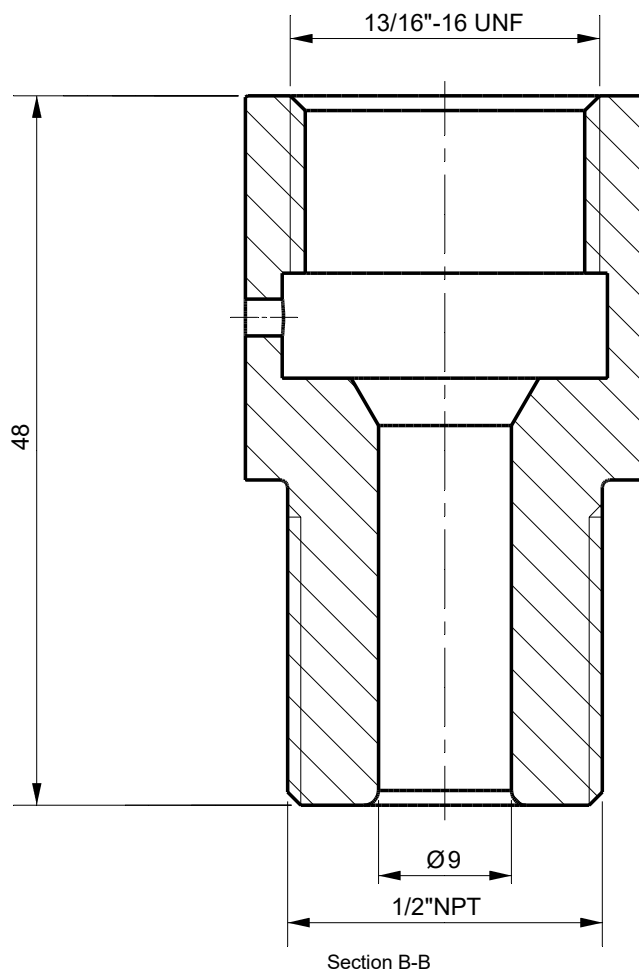
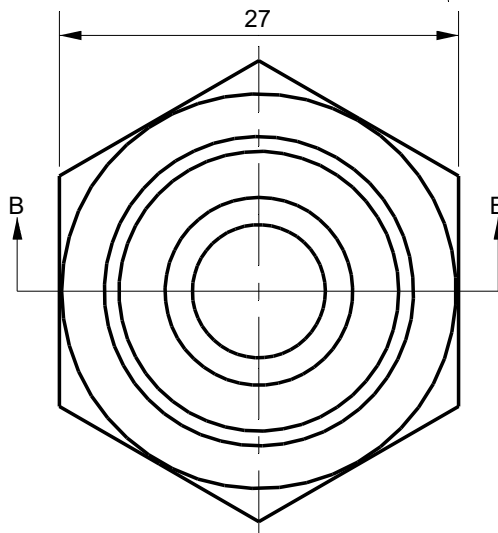
3

4

Rev.A

date

Description revision

**Tolerances**

Unless Otherwise Specified
ACC. DIN-ISO 2768 -1and 2
Angular +/- 0,3°
Corners <math>0,2 \times 45^\circ / R<0,2</math>

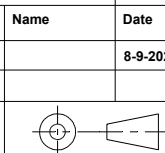
Finish

-

Material

St.St.316

Dimension (No Decimals)	0 t/m 6	6 t/m 30	30 t/m 120	120 t/m 400	400 t/m 1000
Tolerance	0,1	0,2	0,3	0,5	0,8

Projection**Name****Date**

8-9-2024

Remarks

Drawing remains the property of
Salomon Jetting Parts B.V.

Unit

mm

Number**Description**

Adapter 13/16"UNF -
1/2"NPT 1100 bar

Project**Size**

A4

Drawing nr.

20-030-003.1-S

Rev

A

Scale

2:1

CAD File**Sheet**

1 of 1



Salomon Jetting Parts B.V.
Reedijk 8-1
3274 KE Heineoord
www.sjpbv.com
info@sjpbv.com
+31 (0) 88 126 1900