

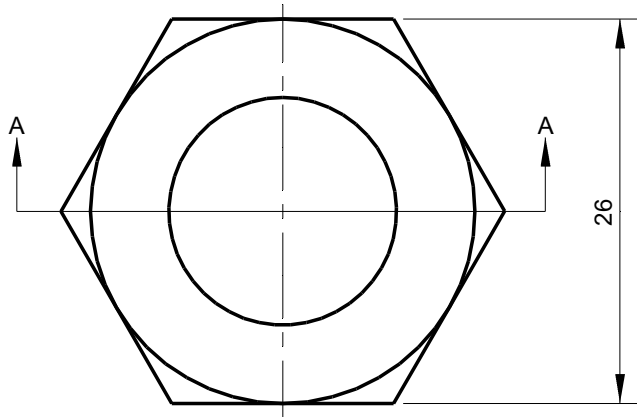
1

2

3

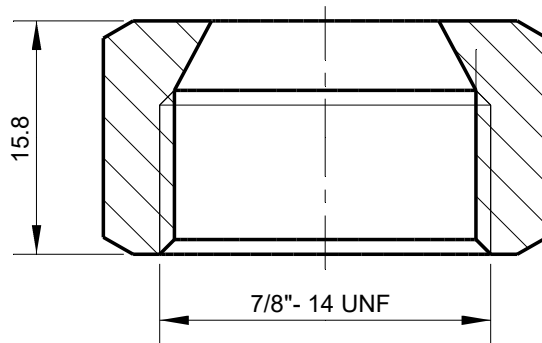
4

A



B

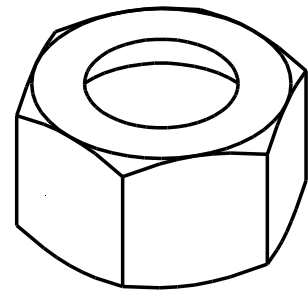
C



D

Section A-A

E

**Tolerances**

Unless Otherwise Specified
ACC. DIN-ISO 2768 -1and 2
Angular +/- 0,3°
Corners <0,2x45° / R<0,2

Finish

-

Material

St.St. HEX 26

Dimension

0 t/m 6

6 t/m 30

30 t/m 120

120 t/m 400

400 t/m 1000

Tolerance

0,1

0,2

0,3

0,5

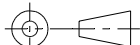
0,8

Drawn

Name

Date

18-12-2019

Checked**Projection****Remarks**

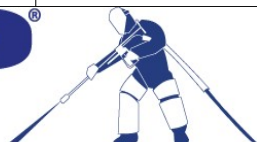
Drawing remains the property of
Salomon Jetting Parts B.V.

Unit
mm

Number

Description

NUT 9/16" MP Anti Vibe

Project

Salomon Jetting Parts B.V.
Industriestraat 17
3291 CC Strijen
www.sjpbv.com
info@sjpbv.com
+31 (0) 88 126 1900

Size
A4

Drawing nr.**21-005-003.2S****Rev****A**

Scale
2:1

CAD File**Sheet****1 of 1**

F