

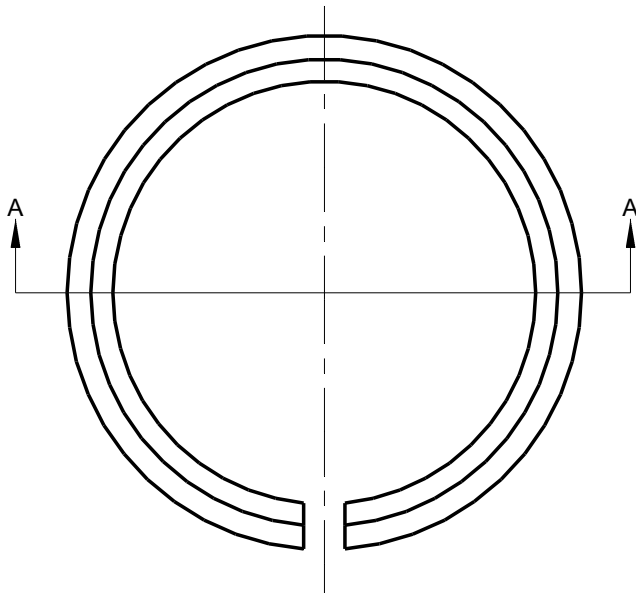
1

2

3

4

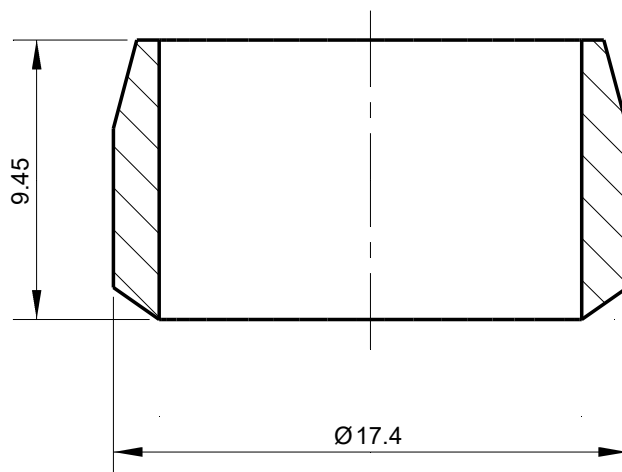
A



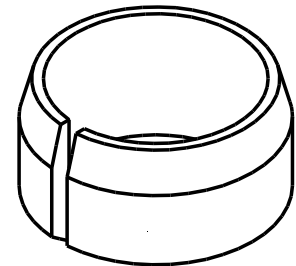
B

C

D



Section A-A



E

Tolerances

Unless Otherwise Specified
ACC. DIN-ISO 2768 -1and 2
Angular +/- 0,3°
Corners <0,2x45° / R<0,2

Finish

-

Material

St.St. 316

Dimension

0 t/m 6

6 t/m 30

30 t/m 120

120 t/m 400

400 t/m 1000

Tolerance

0,1

0,2

0,3

0,5

0,8

Drawn

Name

Date

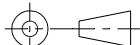
Remarks

Checked

Date

Description

Slotted Collet 9/16"MP Anti Vibe

ProjectionDrawing remains the property of
Salomon Jetting Parts B.V.Unit
mm

Number

Project

F



Salomon Jetting Parts B.V.
Industriestraat 17
3291 CC Strijen
www.sjpbv.com
info@sjpbv.com
+31 (0) 88 126 1900

Size
A4

Drawing nr.**21-005-003.3S****Rev****A**

Scale
4:1

CAD File**Sheet****1 of 1**