

1

2

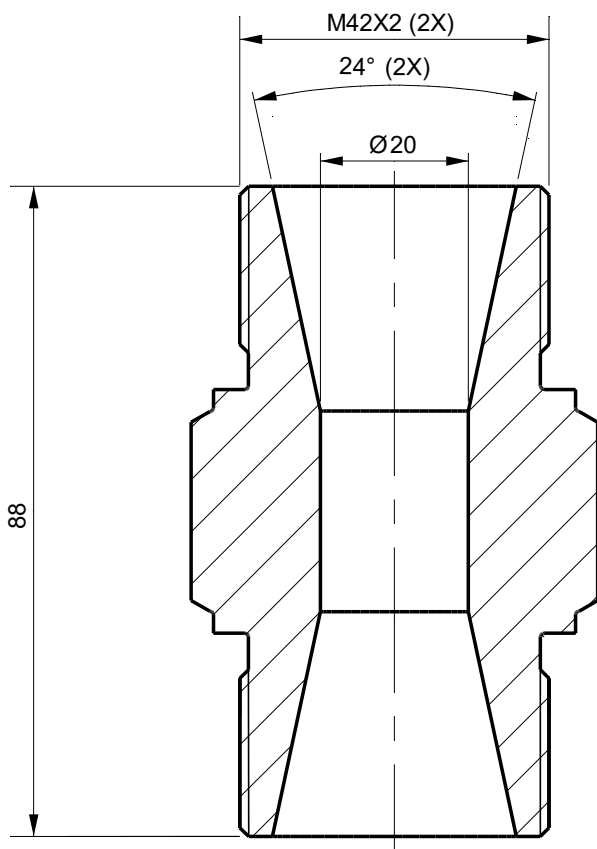
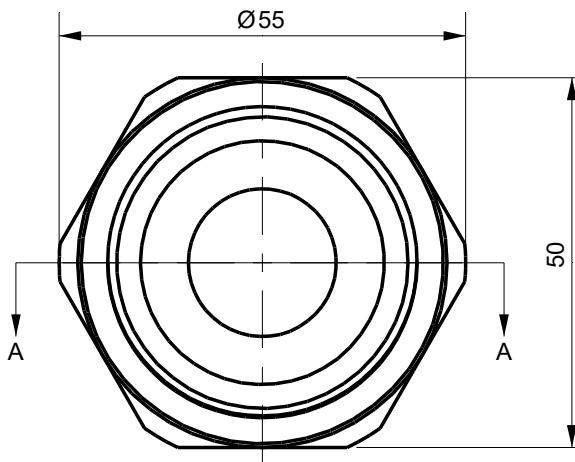
3

4

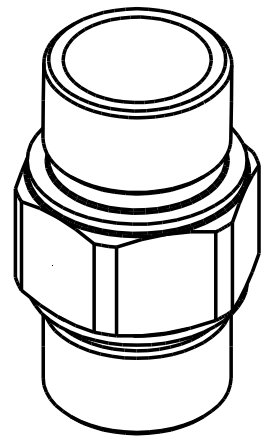
Rev.A

date

Description revision



Section A-A

**Tolerances**

Unless Otherwise Specified
ACC. DIN-ISO 2768 -1and 2
Angular +/- 0,3°
Corners <0,2x45° / R<0,2

Finish

-

Material

St.St. 316

Dimension (No Decimals)

0 t/m 6	6 t/m 30	30 t/m 120	120 t/m 400	400 t/m 1000
0,1	0,2	0,3	0,5	0,8

Tolerance

0,1

0,2

0,3

0,5

0,8

Name

Date

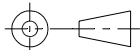
2-8-2021

Remarks

Drawn

Checked

Projection



Drawing remains the property of Salomon Jetting Parts B.V.

Unit
mm

Number

Project

Description

Adapter M42X2 M/M



Salomon Jetting Parts B.V.
Industriestraat 17
3291 CC Strijen
www.sjpbv.com
info@sjpbv.com
+31 (0) 88 126 1900

Size
A4

Drawing nr.

21-007-041-S

Rev

AScale
1:1

CAD File

Sheet

1 of 1