

1

2

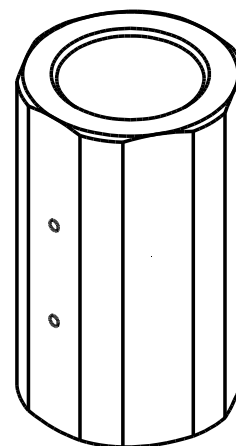
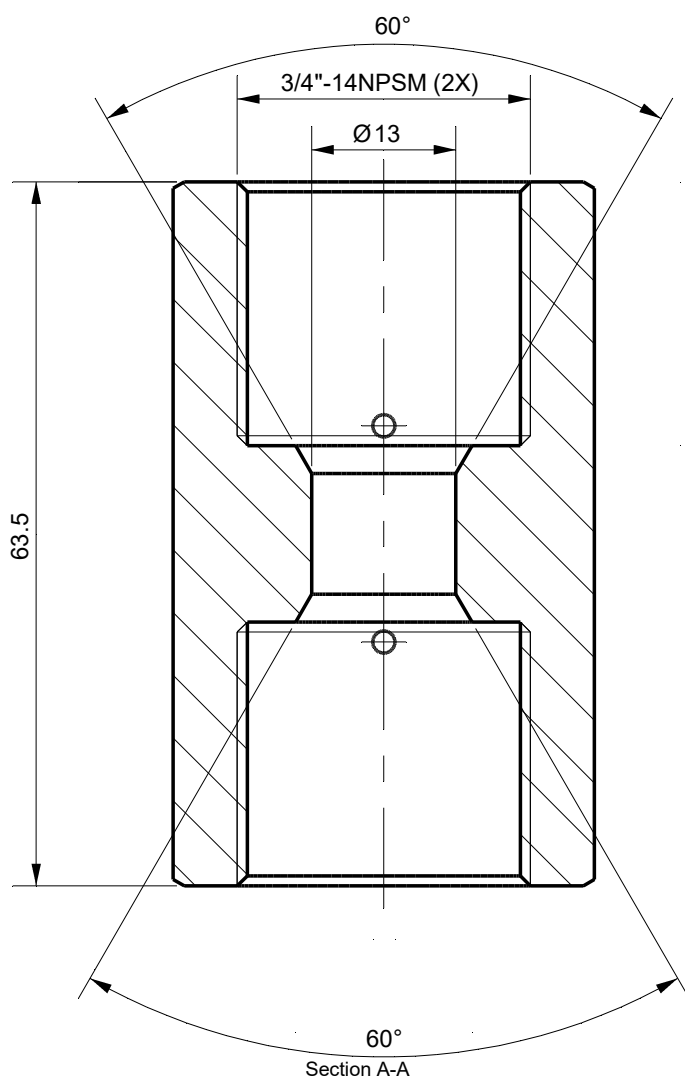
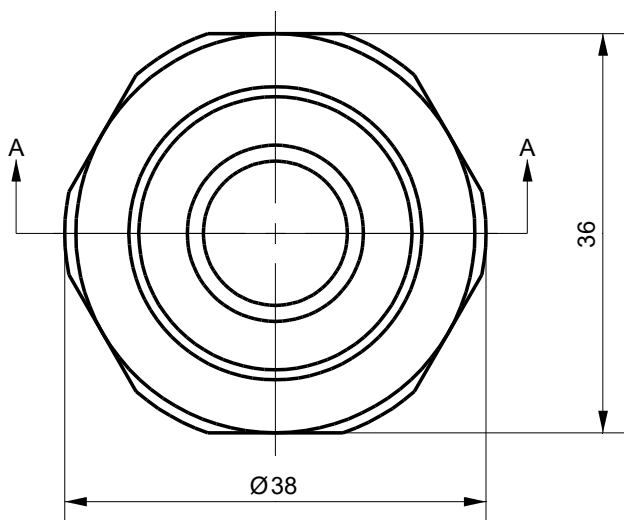
3

4

Rev.A

date

Description revision

**Tolerances**

Unless Otherwise Specified
ACC. DIN-ISO 2768 -1and 2
Angular +/- 0,3°
Corners <0,2x45° / R<0,2

Finish

-

Material

St.St. 316

Dimension (No Decimals)

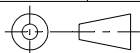
0 t/m 6	6 t/m 30	30 t/m 120	120 t/m 400	400 t/m 1000
0,1	0,2	0,3	0,5	0,8

Tolerance**Description**

Socket b/s 3/4"MP
w/o g&c 1500 bar

Name**Date**

24-6-2022

Remarks**Checked****Projection**

Drawing remains the property of
Salomon Jetting Parts B.V.

Unit
mm

Number

Project

Salomon Jetting Parts B.V.
Industriestraat 17
3291 CC Strijen
www.sjpbv.com
info@sjpbv.com
+31 (0) 88 126 1900

Size
A4

Drawing nr.

21-012-104-S

Rev

A

Scale
1.5:1

CAD File

Sheet

1 of 1