

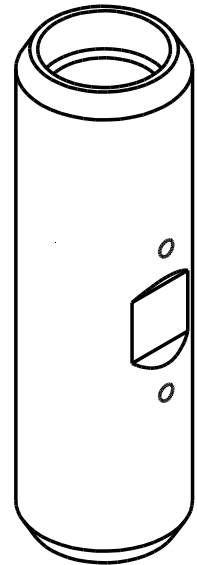
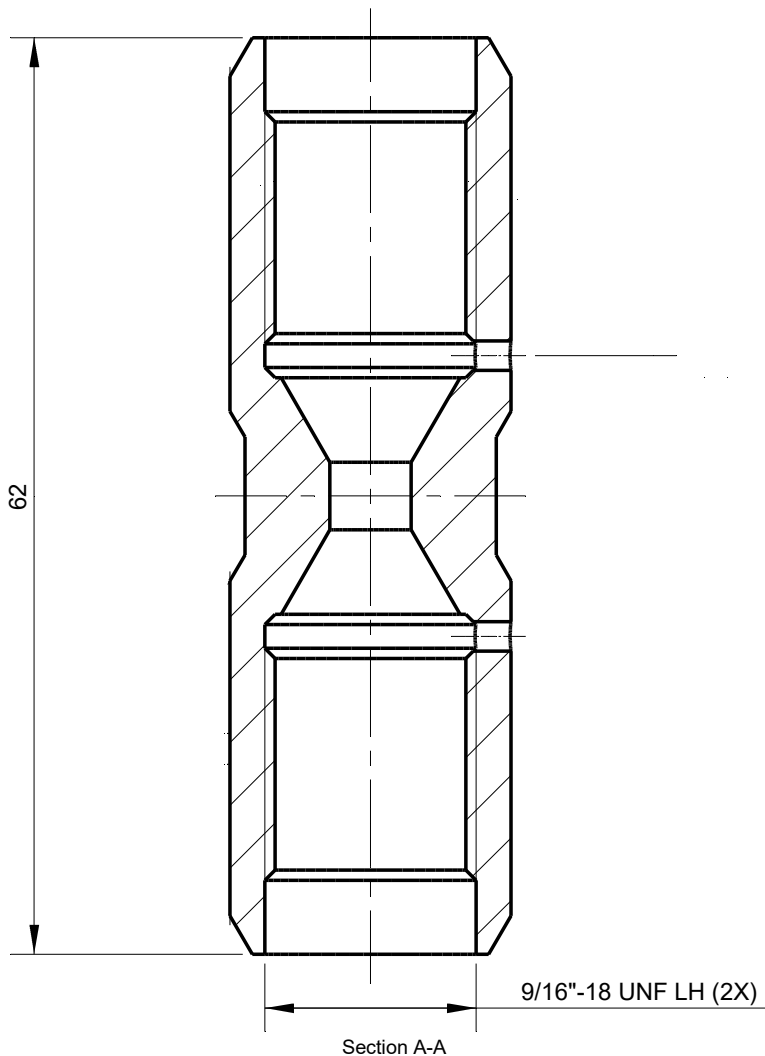
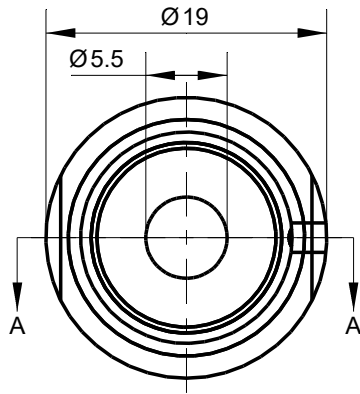
1

2

3

4

Rev.A	date	Description revision
Rev.B	23-10-2020	Thread end UNF adapted



#### Tolerances

Unless Otherwise Specified  
ACC. DIN-ISO 2768 -1and 2  
Angular +/- 0,3°  
Corners <0,2x45° / R<0,2

#### Finish

Dimension (No Decimals)	0 t/m 6	6 t/m 30	30 t/m 120	120 t/m 400	400 t/m 1000
Tolerance	0,1	0,2	0,3	0,5	0,8

#### Material

St.St.

#### Name

#### Date

#### Remarks

#### Drawn

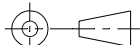
18-6-2020

attention: left handed thread !

#### Description

Lance Connector 9/16"-18 UNF LH

#### Projection



Drawing remains the property of  
Salomon Jetting Parts B.V.

Unit  
mm

Number

#### Project



Salomon Jetting Parts B.V.  
Industriestraat 17  
3291 CC Strijen  
www.sjpbv.com  
info@sjpbv.com  
+31 (0) 88 126 1900

Size  
**A4**

#### Drawing nr.

**22-001-017-S**

#### Rev

**B**

Scale  
**2:1**

#### CAD File

#### Sheet

**1 of 1**