

1

2

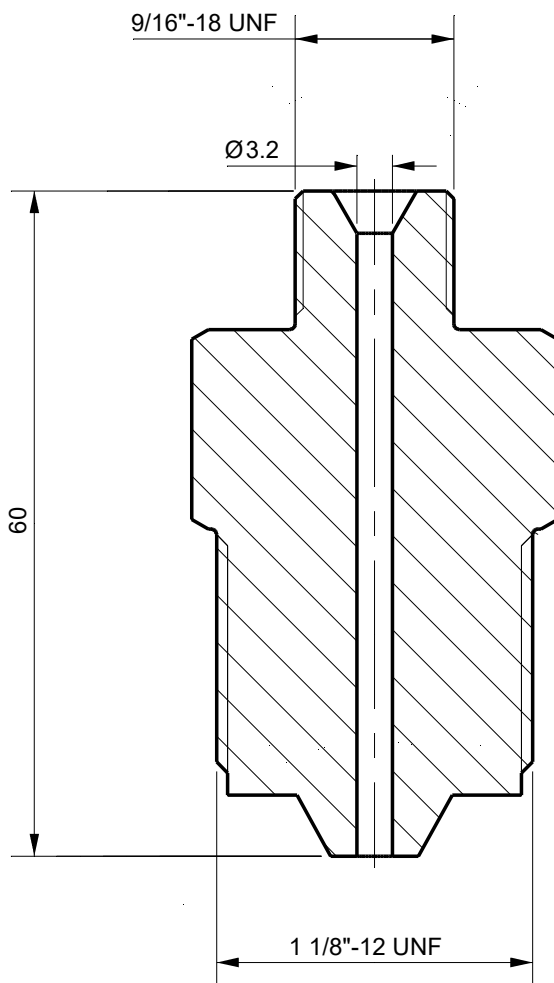
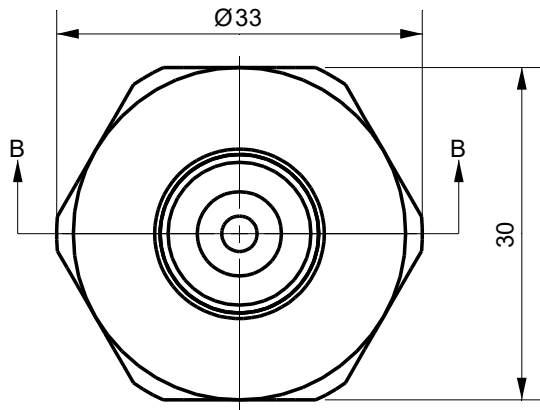
3

4

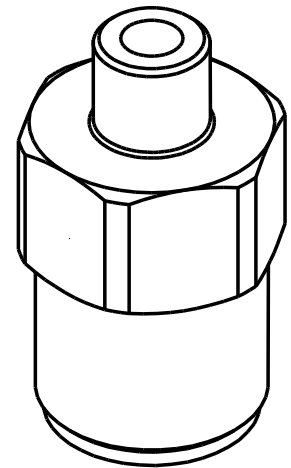
Rev.A

date

Description revision



Section B-B



Tolerances

Unless Otherwise Specified
ACC. DIN-ISO 2768 -1and 2
Angular +/- 0,3°
Corners <0,2x45° / R<0,2

Finish

Heat Treatment

Material

St.St.

Dimension (No Decimals)	0 t/m 6	6 t/m 30	30 t/m 120	120 t/m 400	400 t/m 1000
Tolerance	0,1	0,2	0,3	0,5	0,8

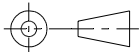
Corners <0,2x45° / R<0,2

Name	Date	Remarks
Drawn	2-8-2023	
Checked		

Description

Adapter 9/16" Type M -
9/16" HPM 3200 bar

Projection



Drawing remains the property of
Salomon Jetting Parts B.V.

Unit
mm

Number

Project



Salomon Jetting Parts B.V.
Reedijk 8-1
3274 KE Heinenoord
www.sjpbv.com
info@sjpbv.com
+31 (0) 88 126 1900

Size
A4

Drawing nr.

22-012-004-S

Rev

AScale
1.5:1

CAD File

Sheet

1 of 1