

1

2

3

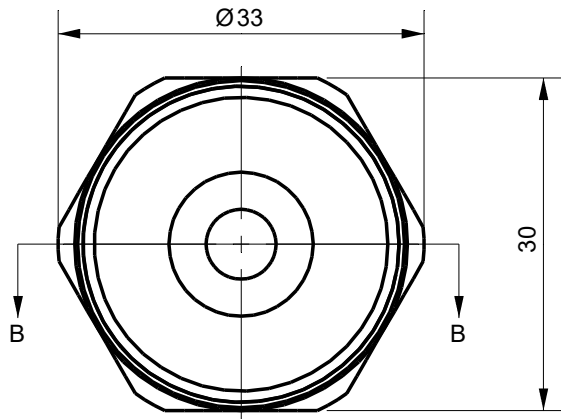
4

Rev.A

date

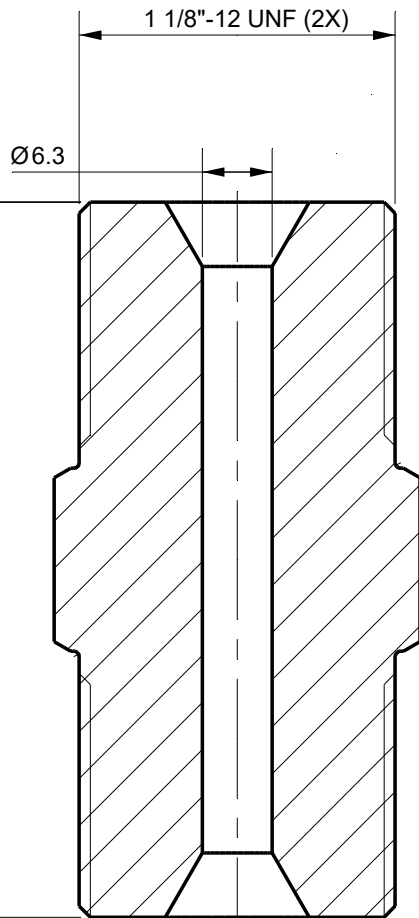
Description revision

A



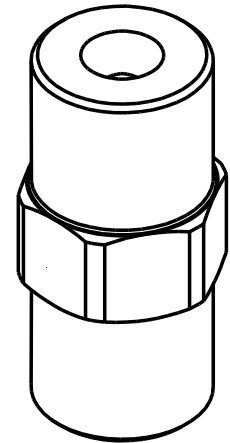
B

C



D

E



Section B-B

**Tolerances**

Unless Otherwise Specified  
ACC. DIN-ISO 2768 -1 and 2  
Angular +/- 0,3°  
Corners <0,2x45° / R<0,2

**Finish**

Heat Treatment

**Material**

St.St.

**Dimension (No Decimals)**

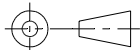
0 t/m 6	6 t/m 30	30 t/m 120	120 t/m 400	400 t/m 1000
0,1	0,2	0,3	0,5	0,8

**Tolerance****Name****Date****Remarks****Drawn**

2-8-2023

**Checked****Description**

Adapter 1 1/8 "-12  
Type M b/s 3200 bar

**Projection**

Drawing remains the property of  
Salomon Jetting Parts B.V.

**Unit**

mm

**Number****Project**

F



Salomon Jetting Parts B.V.  
Reedijk 8-1  
3274 KE Heinenoord  
www.sjpbv.com  
info@sjpbv.com  
+31 (0) 88 126 1900

**Size**

A4

**Drawing nr.**

22-013-005-S

**Rev**

A

**Scale**

1.5:1

**CAD File****Sheet**

1 of 1