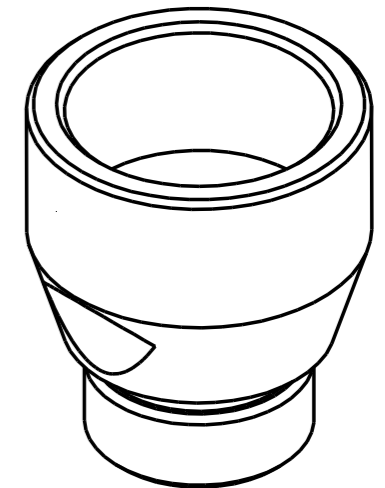
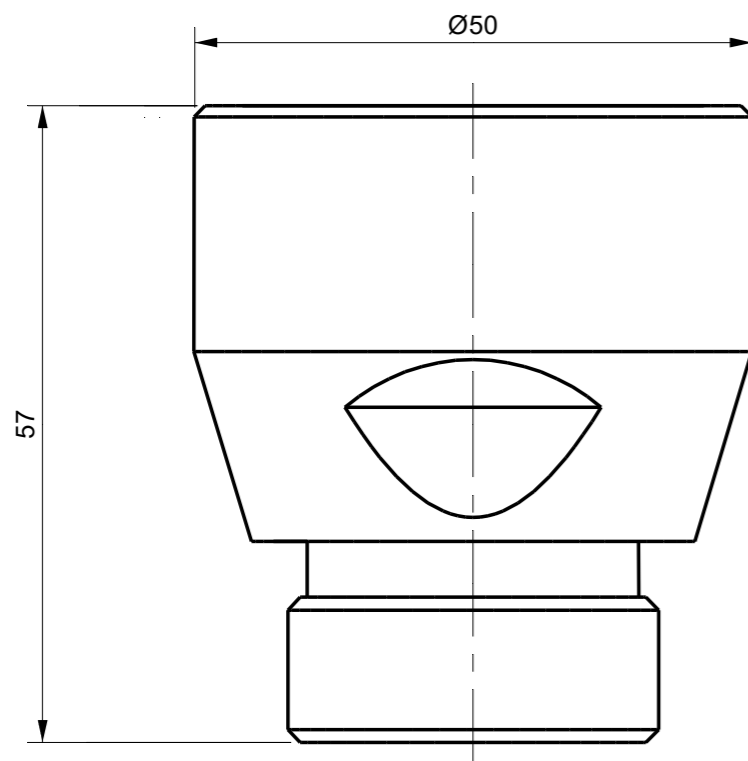


Section A-A



Tolerances Unless Otherwise Specified ACC. DIN-ISO 2768 -1and 2 Angular +/- 0,3° Corners <0,2x45° / R<0,2		Finish -					Material St.St. 303			
		Dimension (No Decimals)		0 t/m 6	6 t/m 30	30 t/m 120	120 t/m 400	400 t/m 1000		
		Tolerance		0,1	0,2	0,3	0,5	0,8		
		Name	Date	Remarks						
Drawn			19-11-2023							
Checked										
Projection				Drawing remains the property of Salomon Jetting Parts B.V.						
				Unit	mm		Number			
						Salomon Jetting Parts B.V. Reedijk 8-1 3274 KE Heinoord www.sjpbv.com info@sjpbv.com +31 (0) 88 126 1900		Size A3	Drawing nr. 2319-S	Rev A
				Scale 1.5:1		CAD File		Sheet 1 of 1		