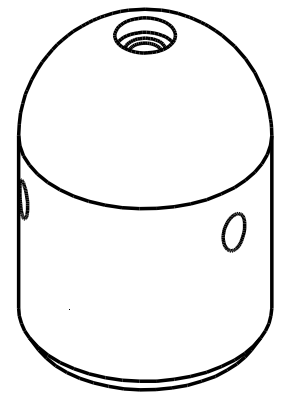
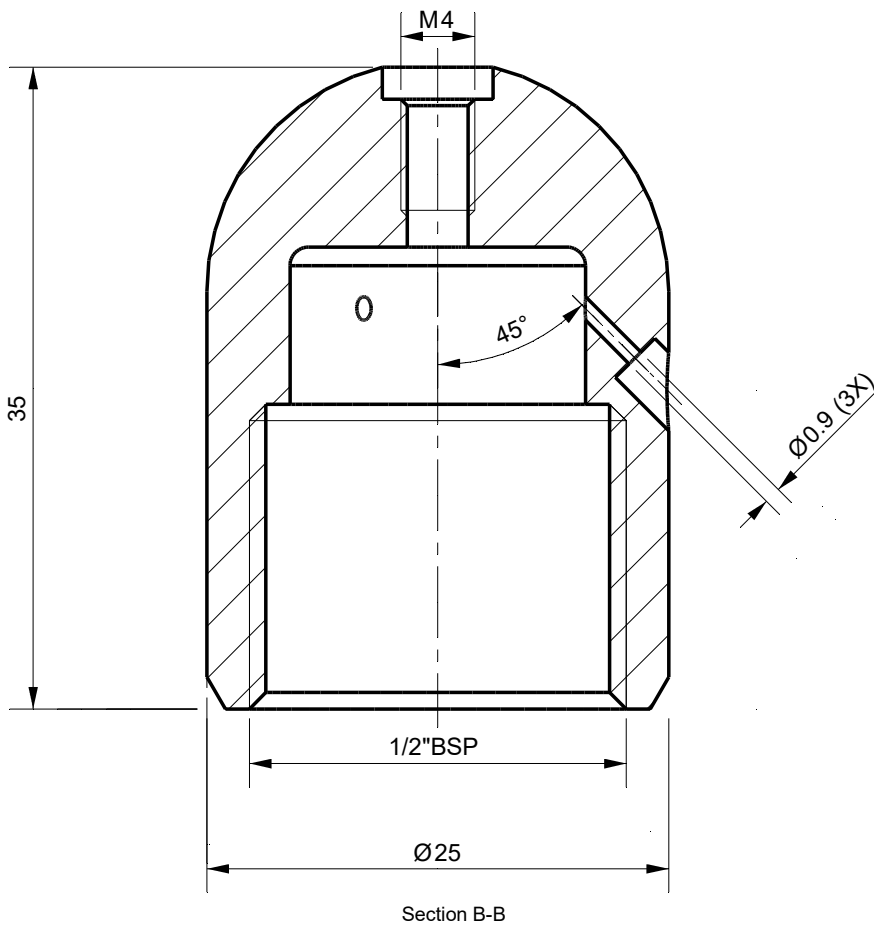
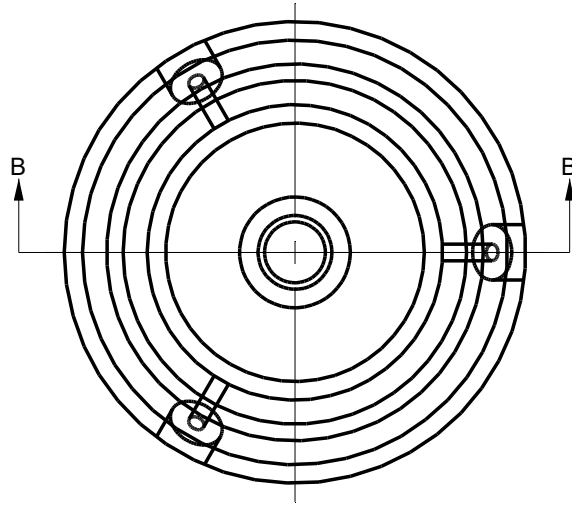


A
B
C
D
E
F



Tolerances Unless Otherwise Specified ACC. DIN-ISO 2768 -1and 2 Angular +/- 0,3° Corners <0,2x45° / R<0,2		Finish -					Material St.St.316			
		Dimension (No Decimals)		0 t/m 6	6 t/m 30	30 t/m 120	120 t/m 400	400 t/m 1000		
		Tolerance		0,1	0,2	0,3	0,5	0,8		
Name Drawn Checked		Date 25-6-2024		Remarks Drawing remains the property of Salomon Jetting Parts B.V.					Description Button Nozzle	
Projection 				Unit mm		Number		Project		
		Salomon Jetting Parts B.V. Reedijk 8-1 3274 KE Heinenoord www.sjpbv.com info@sjpbv.com +31 (0) 88 126 1900			Size A4		Drawing nr. 3-16123090		Rev A	
				Scale 2.5:1		CAD File		Sheet 1 of 1		