

1

2

3

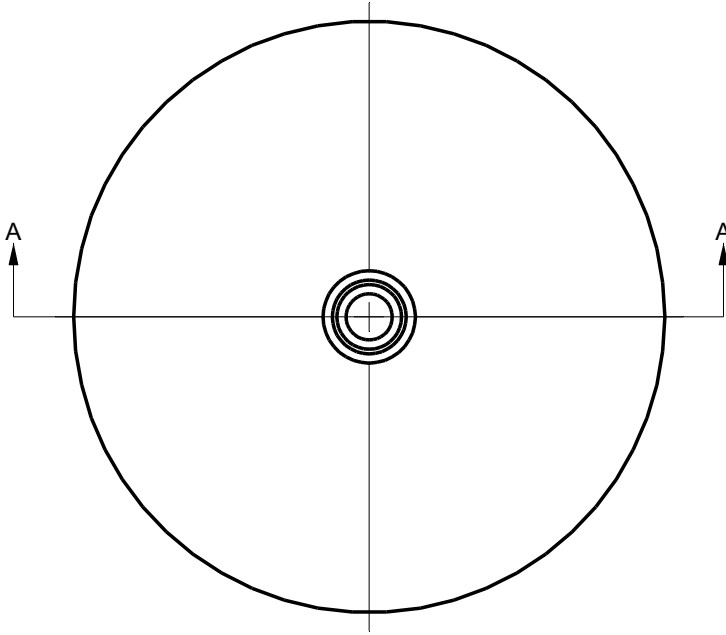
4

Rev.A

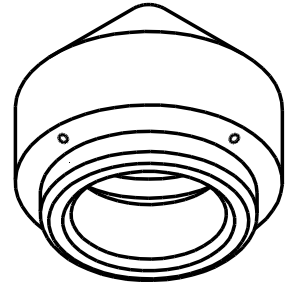
date

Description revision

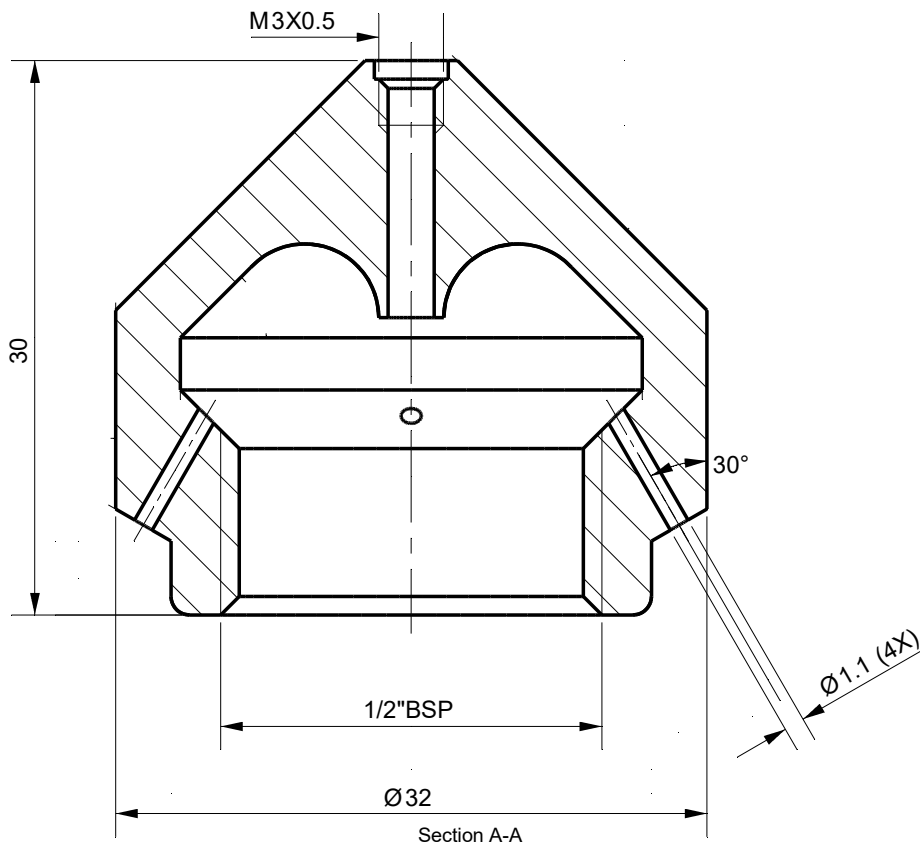
A



B



C



D

E

Tolerances

Unless Otherwise Specified
 ACC. DIN-ISO 2768 -1and 2
 Angular +/- 0,3°
 Corners <0,2x45° / R<0,2

Finish

-

Material

St.St. 316

Dimension (No Decimals)

| | | | | |
|---------|----------|------------|-------------|--------------|
| 0 t/m 6 | 6 t/m 30 | 30 t/m 120 | 120 t/m 400 | 400 t/m 1000 |
|---------|----------|------------|-------------|--------------|

Tolerance

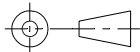
| | | | | |
|-----|-----|-----|-----|-----|
| 0,1 | 0,2 | 0,3 | 0,5 | 0,8 |
|-----|-----|-----|-----|-----|

Name**Date**

1-3-2022

Remarks**Description**

Button Nozzle 32

Projection

Drawing remains the property of
 Salomon Jetting Parts B.V.

Unit

mm

Number**Project****Size**

A4

Drawing nr.

3-61204110

Rev

A

Scale
 2.5:1
CAD File**Sheet**

1 of 1

F



Salomon Jetting Parts B.V.
 Industriestraat 17
 3291 CC Strijen
 www.sjpbv.com
 info@sjpbv.com
 +31 (0) 88 126 1900