

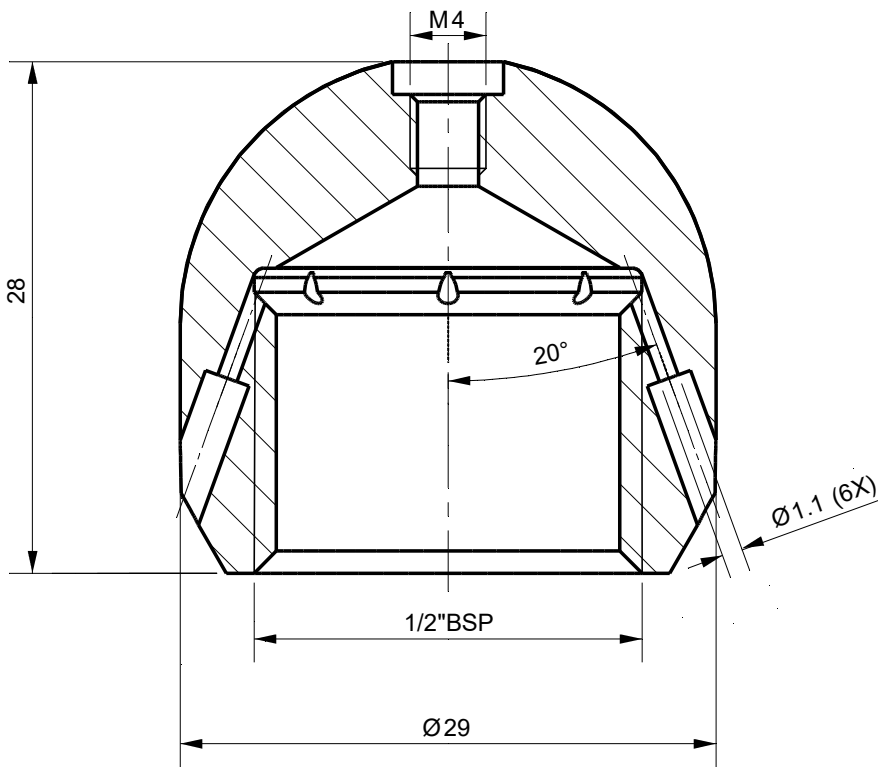
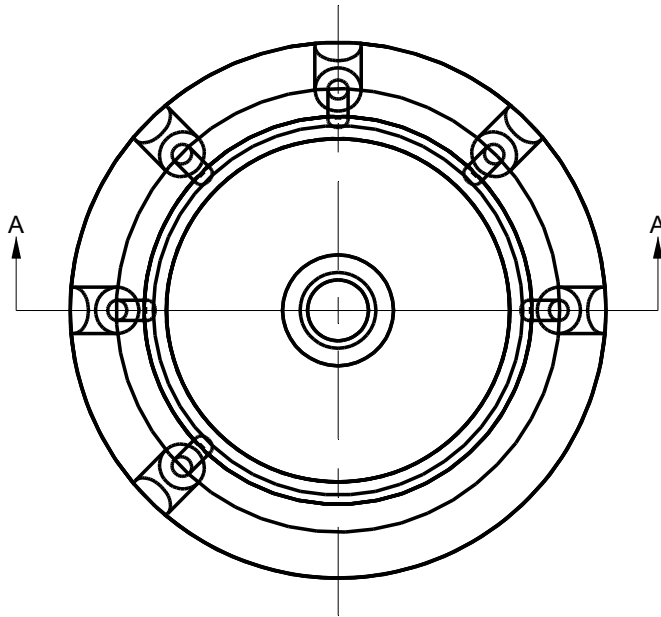
1

2

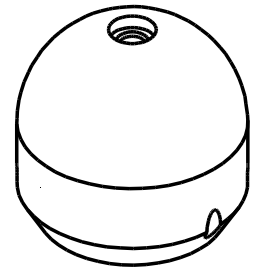
3

4

Rev.A	date	Description revision
Rev.B	11-3-2022	Ø1 => Ø1.1



Section A-A

**Tolerances**

Unless Otherwise Specified
ACC. DIN-ISO 2768 -1and 2
Angular +/- 0,3°
Corners <0,2x45° / R<0,2

Finish

-

Material

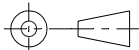
St.St.316

Dimension (No Decimals)	0 t/m 6	6 t/m 30	30 t/m 120	120 t/m 400	400 t/m 1000
Tolerance	0,1	0,2	0,3	0,5	0,8

Name	Date	Remarks
Drawn		
Checked		

Description

Button Nozzle 29 073
Unbalanced

Projection

Drawing remains the property of
Salomon Jetting Parts B.V.

Unit
mm

Number

Project

Salomon Jetting Parts B.V.
Industriestraat 17
3291 CC Strijen
www.sjpbv.com
info@sjpbv.com
+31 (0) 88 126 1900

Size
A4

Drawing nr.**3-6120810-U****Rev****B**

Scale
2.5:1

CAD File**Sheet****1 of 1**