

1

2

3

4

Rev.A

date

Description revision

A

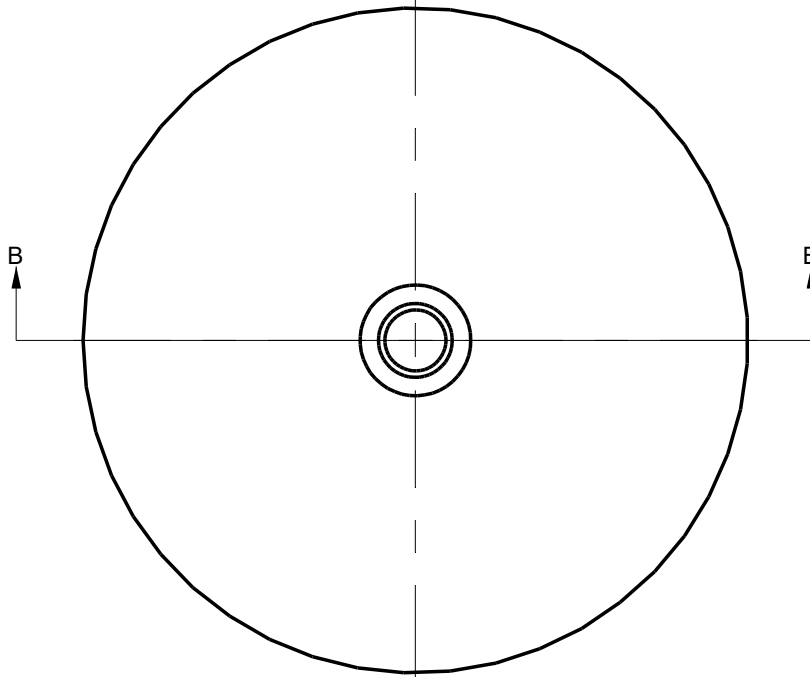
B

C

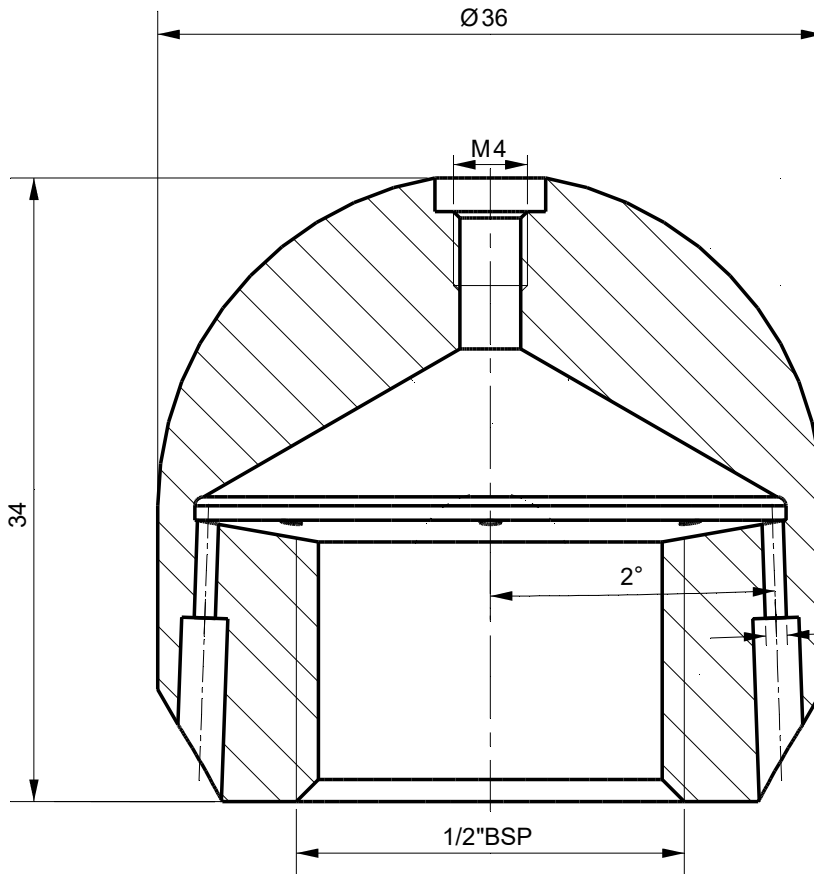
D

E

F

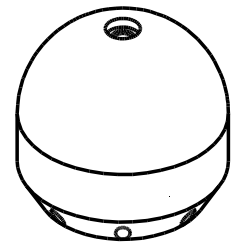


Ø36



Section B-B

Ø1.15(8X)



Tolerances

Unless Otherwise Specified
ACC. DIN-ISO 2768 -1and 2
Angular +/- 0,3°
Corners <0,2x45° / R<0,2

Finish

-

Material

St.St. 316

Dimension (No Decimals)

0 t/m 6 6 t/m 30 30 t/m 120 120 t/m 400 400 t/m 1000

Tolerance

0,1 0,2 0,3 0,5 0,8

Name

Date

28-9-2024

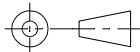
Remarks

Description

Button Nozzle 29 073

Checked

Projection



Drawing remains the property of
Salomon Jetting Parts B.V.

Unit
mm

Number

Project



Salomon Jetting Parts B.V.
Reedijk 8-1
3274 KE Heinenoord
www.sjpbv.com
info@sjpbv.com
+31 (0) 88 126 1900

Size
A4

Drawing nr.

3-612208115

Rev

AScale
2.5:1

CAD File

Sheet

1 of 1