

1

2

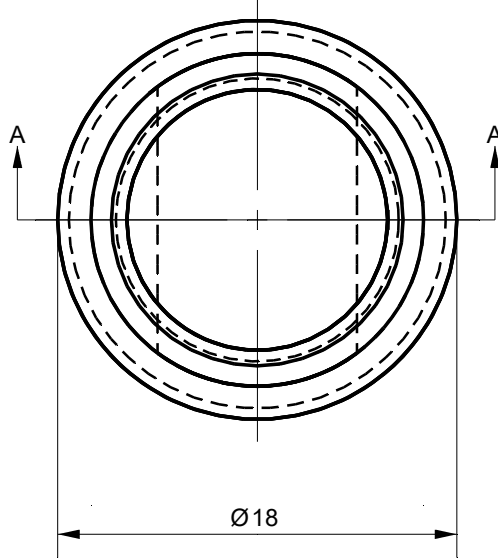
3

4

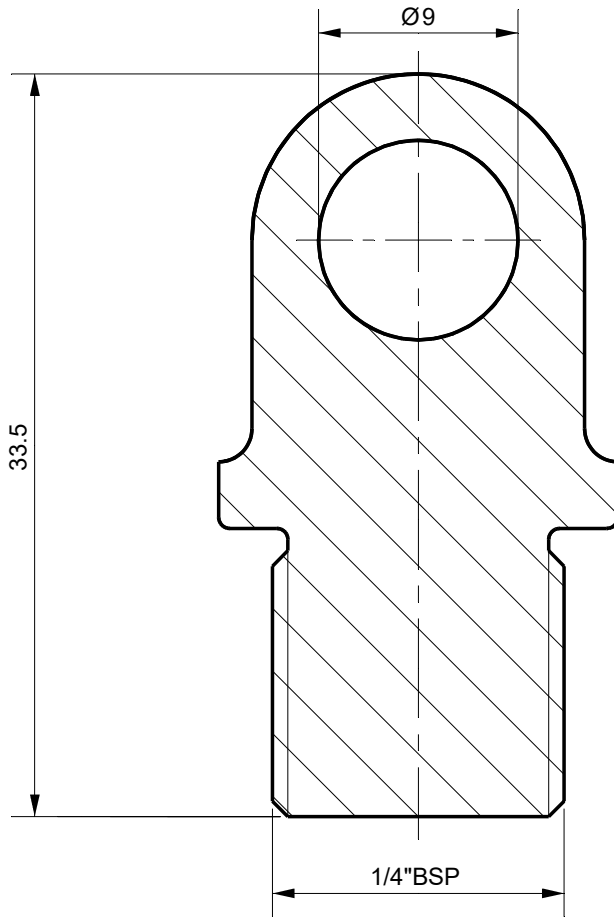
Rev.A

date

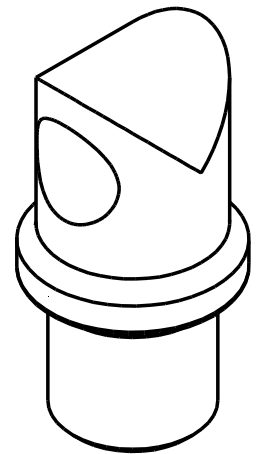
Description revision



Ø18



Section A-A

**Tolerances**

Unless Otherwise Specified
ACC. DIN-ISO 2768 -1and 2
Angular +/- 0,3°
Corners <0,2x45° / R<0,2

Finish

-

Material

St.St.316

Dimension (No Decimals)

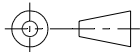
0 t/m 6	6 t/m 30	30 t/m 120	120 t/m 400	400 t/m 1000
0,1	0,2	0,3	0,5	0,8

Tolerance**Description**

Egg Pulling Eye

Name**Date**

7-7-2023

Remarks**Drawn****Checked****Projection**

Drawing remains the property of
Salomon Jetting Parts B.V.

Unit

mm

Number**Project**

Size
A4

Drawing nr.

3-6170011-1

Rev

A

Scale
3:1

CAD File**Sheet**

1 of 1



Salomon Jetting Parts B.V.
Reedijk 8-1
3274 KE Heinenoord
www.sjpbv.com
info@sjpbv.com
+31 (0) 88 126 1900