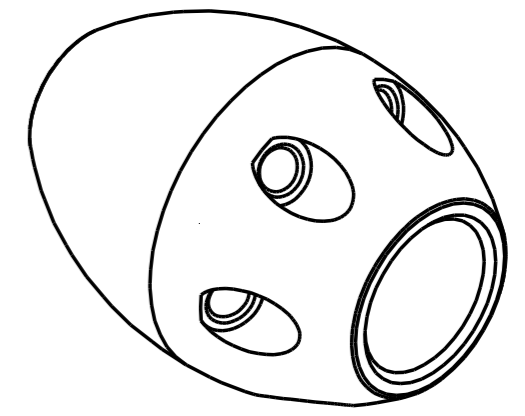
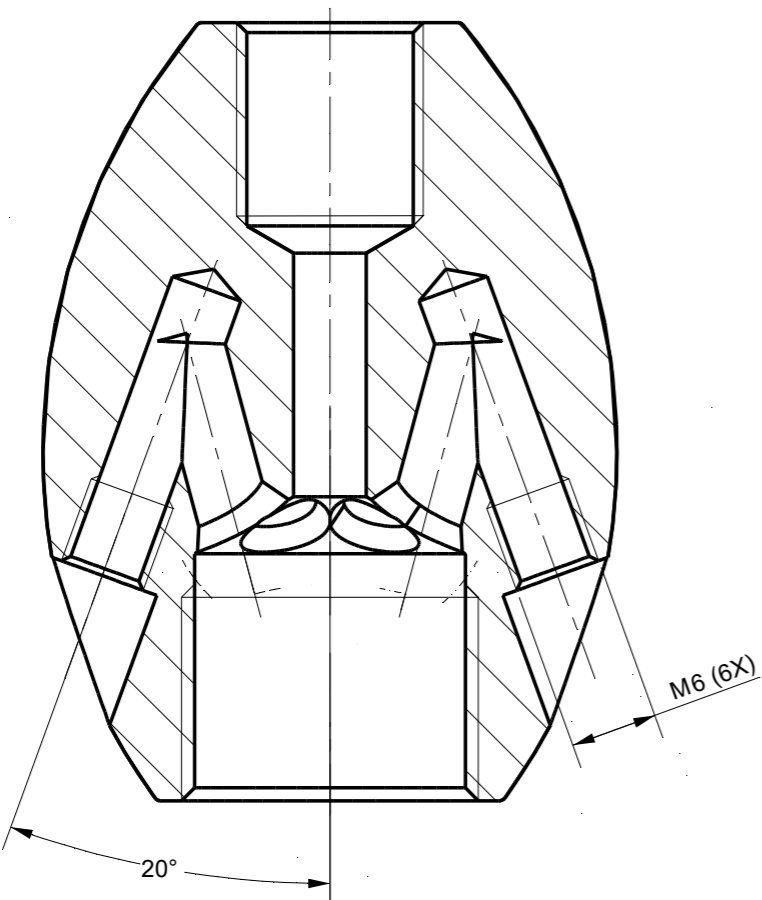


Section A-A



Tolerances Unless Otherwise Specified ACC. DIN-ISO 2768 -1 and 2 Angular +/- 0,3° Corners <0,2x45° / R<0,2	Finish --					Material St.St.316			
	Dimension (No Decimals)		0 t/m 6	6 t/m 30	30 t/m 120	120 t/m 400	400 t/m 1000	Description SJP 1/2"BSPF - 1/4"BSPF Front	
Tolerance		0,1	0,2	0,3	0,5	0,8			
Drawn 15-6-2023	Name [Blank]	Date 15-6-2023	Remarks [Blank]				Project [Blank]		
Checked [Blank]	Projection 		Drawing remains the property of Salomon Jetting Parts B.V.		Unit mm	Number [Blank]	Size A3	Drawing nr. 3-6170011	Rev A
			Salomon Jetting Parts B.V. Reedijk 8-1 3274 KE Heineoord www.sjpbv.com info@sjpbv.com +31 (0) 88 126 1900		Scale 2:1	CAD File [Blank]	Sheet 1 of 1		

Section B-B