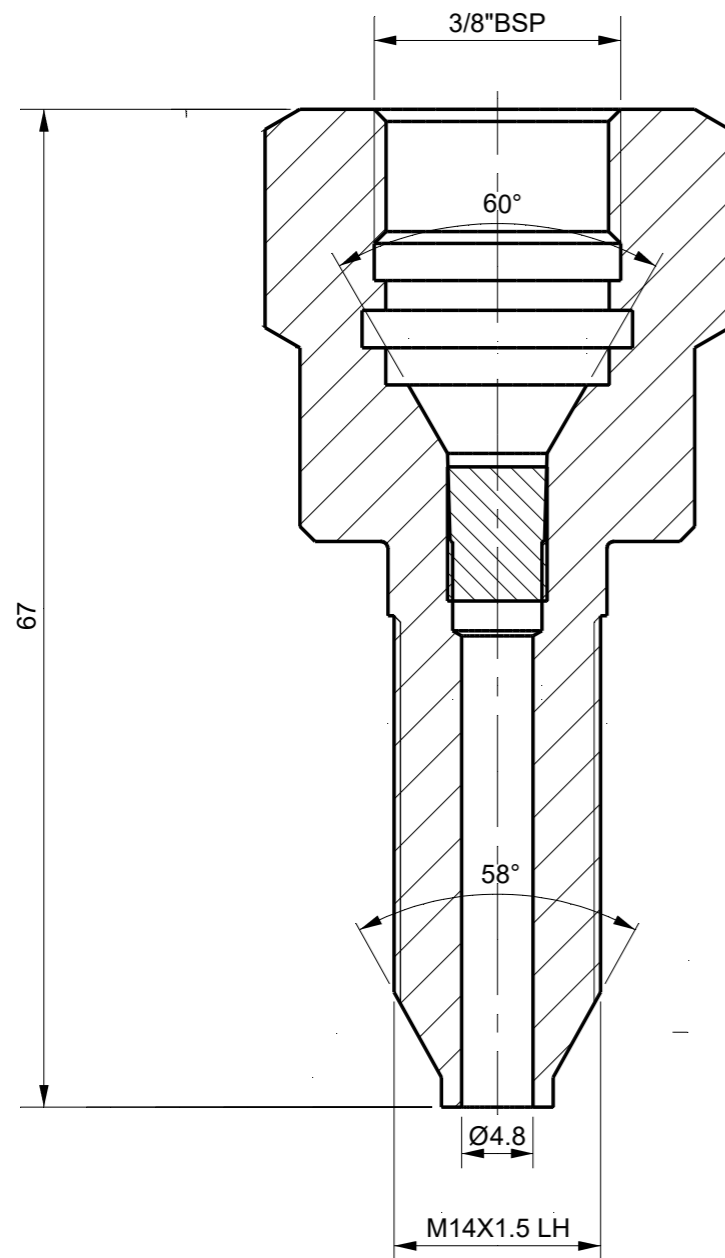
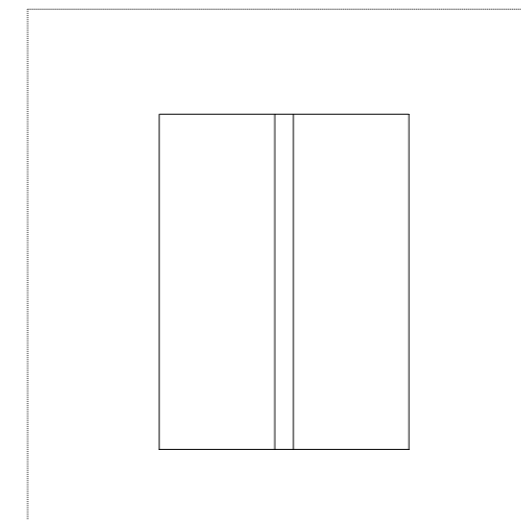
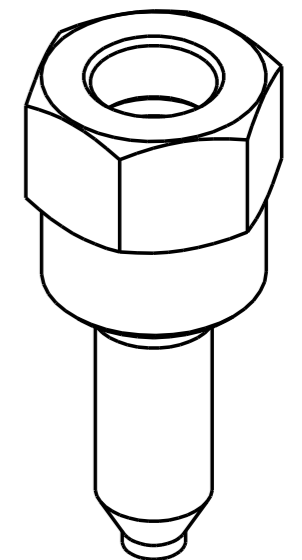


Flow Stabilizer St.St. 316



Section B-B



Tolerances Unless Otherwise Specified ACC. DIN-ISO 2768 -1and 2 Angular +/- 0,3° Corners <0,2x45° / R<0,2		Finish Heat Treatment					Material St.St.		
		Dimension (No Decimals)		0 t/m 6	6 t/m 30	30 t/m 120	120 t/m 400	400 t/m 1000	
		Tolerance		0,1	0,2	0,3	0,5	0,8	
Name		Date		Remarks				Description	
Drawn		24-11-2023		Attention: M14 Left handed threath				Swage Adapter M14X1.5 LHM W Boss 3/8" BSPF	
Checked									
Projection				Drawing remains the property of Salomon Jetting Parts B.V.		Unit mm	Number	Project	
		Salomon Jetting Parts B.V. Reedijk 8-1 3274 KE Heineoord www.sjpbv.com info@sjpbv.com +31 (0) 88 126 1900		Size A3		Drawing nr. 3040076		Rev A	
		Scale 2:1		CAD File		Sheet 1 of 1			