

1

2

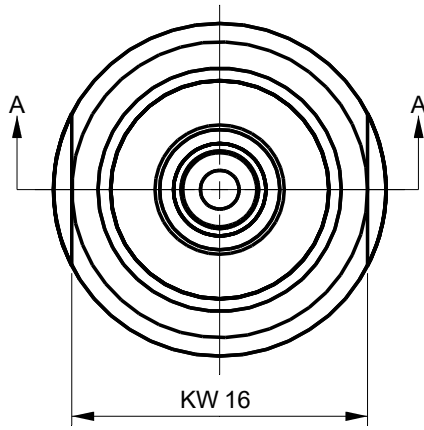
3

4

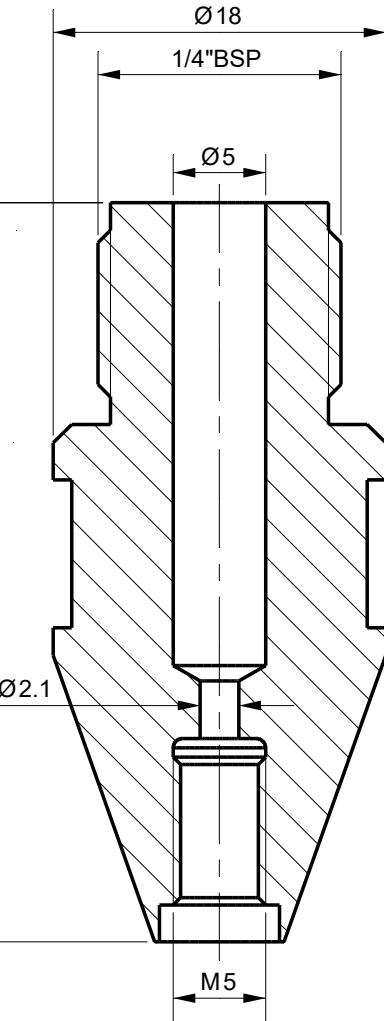
Rev.A

date

Description revision



KW 16



Ø18

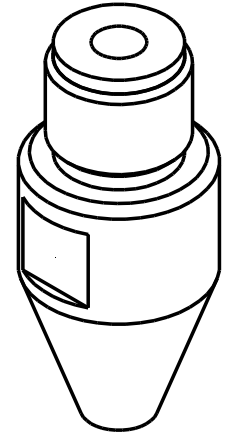
1/4\"/&gt;

Ø5

40

Ø2.1

M5



Section A-A

## Tolerances

Unless Otherwise Specified  
ACC. DIN-ISO 2768 -1and 2  
Angular +/- 0,3°  
Corners <0,2x45° / R<0,2

## Finish

-

## Material

St.St. 316

## Dimension (No Decimals)

0 t/m 6 6 t/m 30 30 t/m 120 120 t/m 400 400 t/m 1000

## Tolerance

0,1 0,2 0,3 0,5 0,8

## Name

## Date

## Remarks

## Drawn

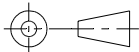
21-3-2024

## Checked

## Description

Adapter M5X0.8F -  
1/4\"/>

## Projection



Drawing remains the property of  
Salomon Jetting Parts B.V.

Unit

mm

Number

## Project



Salomon Jetting Parts B.V.

Reedijk 8-1  
3274 KE Heinenoord  
www.sjpbv.com  
info@sjpbv.com  
+31 (0) 88 126 1900

## Size

A4

## Drawing nr.

304017

## Rev

A

Scale  
2.5:1

CAD File

Sheet

1 of 1