

1

2

3

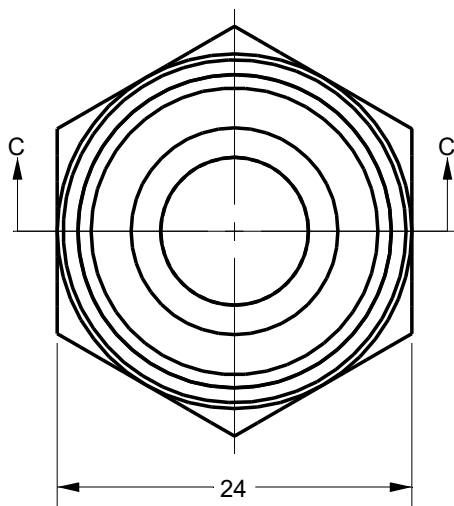
4

Rev.A

date

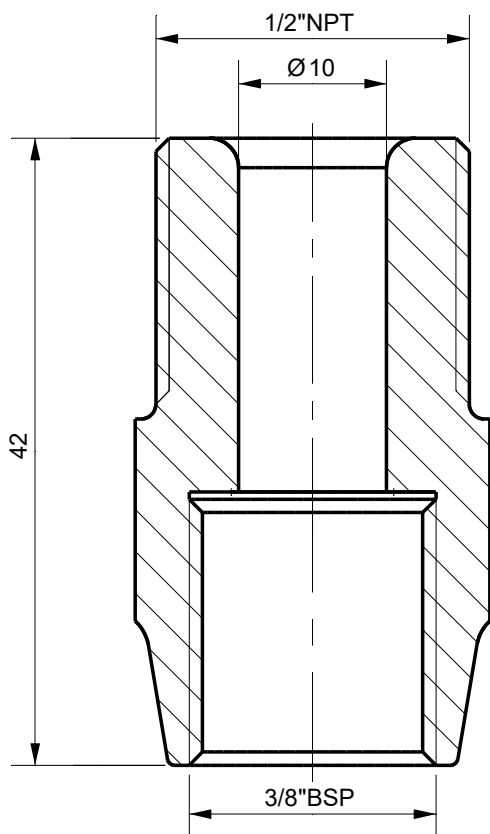
Description revision

A



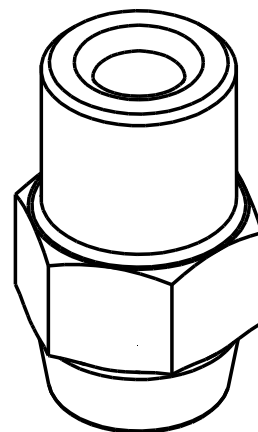
B

C



D

E



Section C-C

Tolerances

Unless Otherwise Specified
 ACC. DIN-ISO 2768 -1and 2
 Angular +/- 0,3°
 Corners <math><0,2 \times 45^\circ / R < 0,2</math>

Finish

-

Material

St.St. 316

Dimension (No Decimals)

0 t/m 6	6 t/m 30	30 t/m 120	120 t/m 400	400 t/m 1000
0,1	0,2	0,3	0,5	0,8

Tolerance**Drawn**

Name

Date

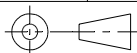
Remarks

Checked

9-11-2023

Description

Lance Holder
 1/2"NPTM - 3/8"BSPF

Projection

Drawing remains the property of
 Salomon Jetting Parts B.V.

Unit

mm

Number

Project

F



Salomon Jetting Parts B.V.
 Reedijk 8-1
 3274 KE Heinenoord
 www.sjpbv.com
 info@sjpbv.com
 +31 (0) 88 126 1900

Size
A4

Drawing nr.

304046

Rev

A

Scale
2:1

CAD File

Sheet

1 of 1