

1

2

3

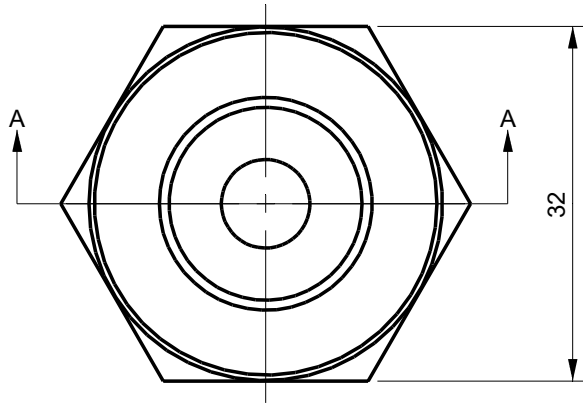
4

Rev.A

date

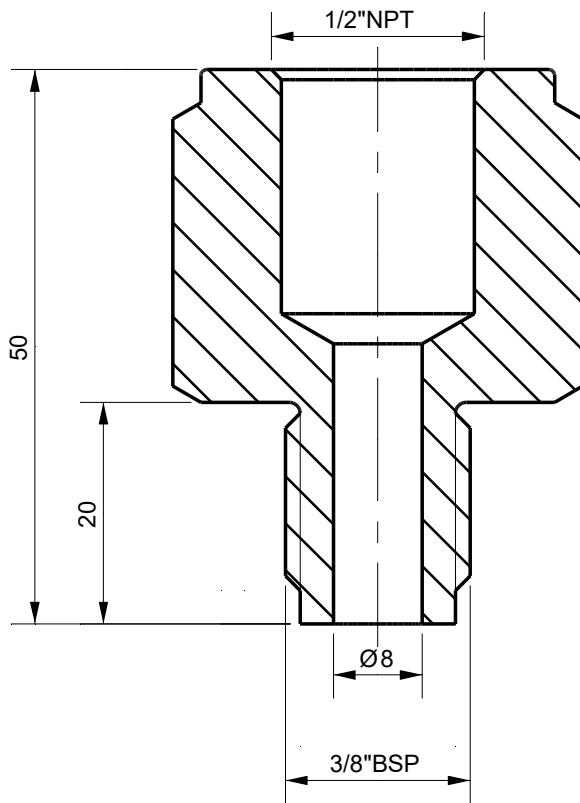
Description revision

A



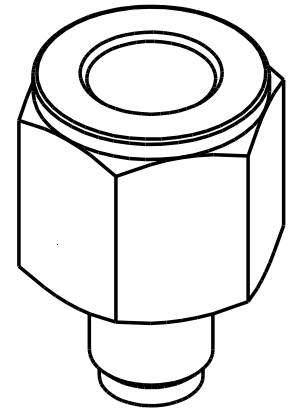
B

C



D

E

**Tolerances**

Unless Otherwise Specified
ACC. DIN-ISO 2768 -1and 2
Angular +/- 0,3°
Corners <0,2x45° / R<0,2

Finish

-

Section A-A

Dimension (No Decimals)	0 t/m 6	6 t/m 30	30 t/m 120	120 t/m 400	400 t/m 1000
Tolerance	0,1	0,2	0,3	0,5	0,8

Material

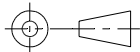
St.St. 316

Name**Date****Remarks****Drawn**

9-2-2023

Checked**Description**

Adapter 1/2"NPTF - 3/8"BSPM Flat 1000 bar

Projection

Drawing remains the property of
Salomon Jetting Parts B.V.

Unit

mm

Number**Project**

F



Salomon Jetting Parts B.V.
Reedijk 8-1
3274 KE Heinenoord
www.sjpbv.com
info@sjpbv.com
+31 (0) 88 126 1900

Size

A4

Drawing nr.

304047

Rev

A

Scale

1.5:1

CAD File**Sheet**

1 of 1