

1

2

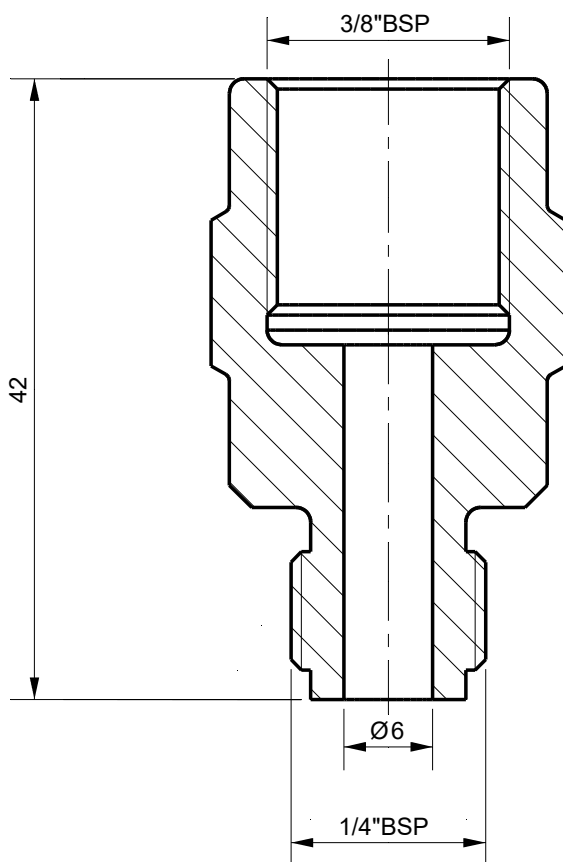
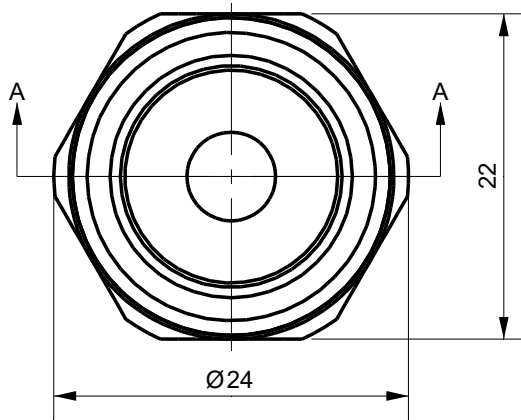
3

4

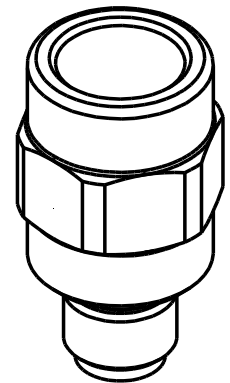
Rev.A

date

Description revision



Section A-A

**Tolerances**

Unless Otherwise Specified
ACC. DIN-ISO 2768 -1and 2
Angular +/- 0,3°
Corners <math><0,2 \times 45^\circ / R < 0,2</math>

Finish

-

Material

St.St. 316

Dimension (No Decimals)

| 0 t/m 6 | 6 t/m 30 | 30 t/m 120 | 120 t/m 400 | 400 t/m 1000 |
|---------|----------|------------|-------------|--------------|
| 0,1 | 0,2 | 0,3 | 0,5 | 0,8 |

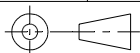
Tolerance**Description**

Holder 1/4\"/>

Drawn

Date

7-6-2023

Remarks**Checked****Projection**

Drawing remains the property of
Salomon Jetting Parts B.V.

Unit

mm

Number**Project****Size**

A4

Drawing nr.

304048

Rev

A

Scale
2:1**CAD File****Sheet**

1 of 1



Salomon Jetting Parts B.V.
Reedijk 8-1
3274 KE Heinenoord
www.sjpbv.com
info@sjpbv.com
+31 (0) 88 126 1900